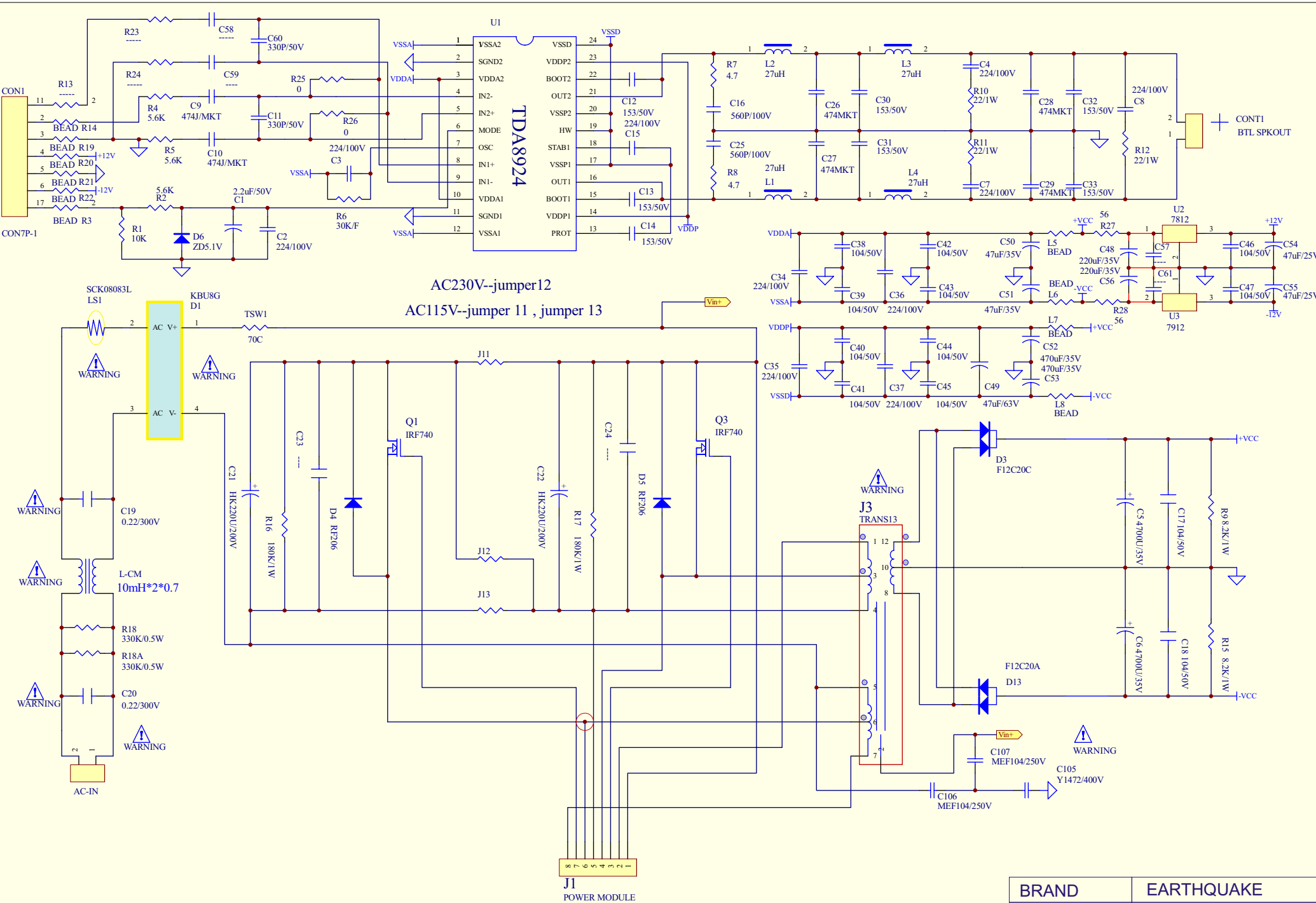


BRAND	EARTHQUAKE
MODEL NO.	MINIME P8/P8W/FF8
TITLE	PRE SCH



BRAND	EARTHQUAKE
MODEL NO.	MINIME P8/P8W/FF8
TITLE	END SCH