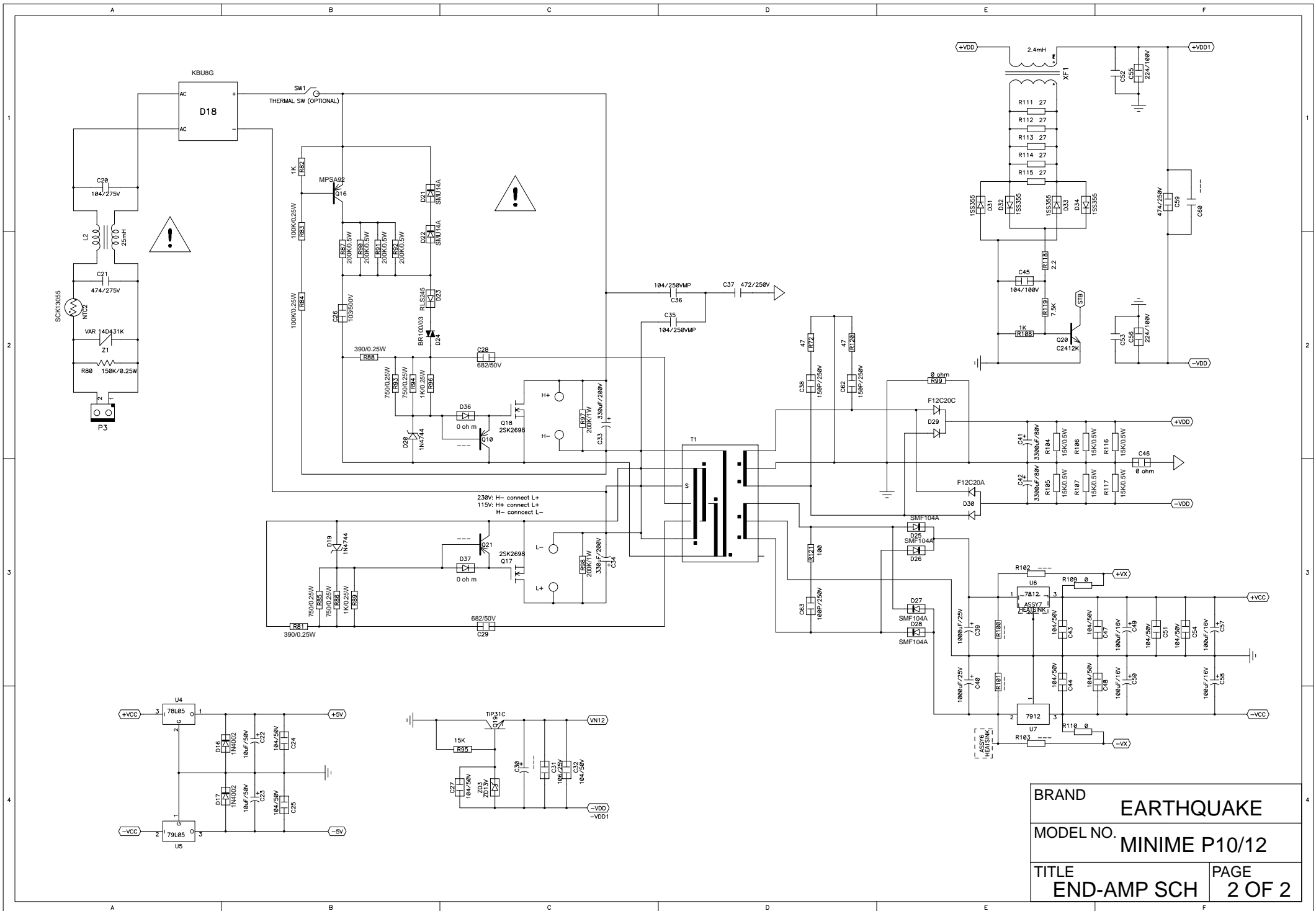
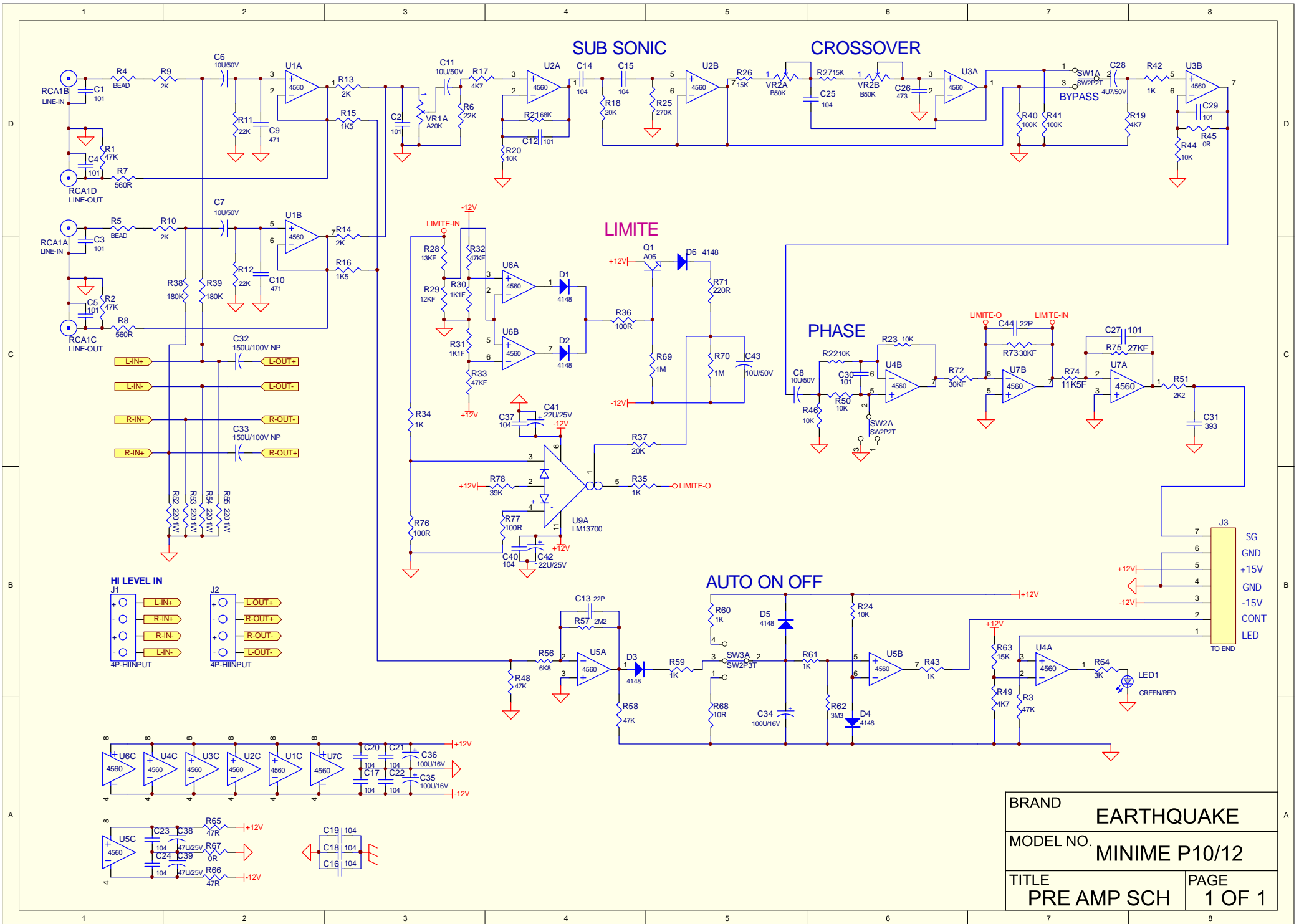


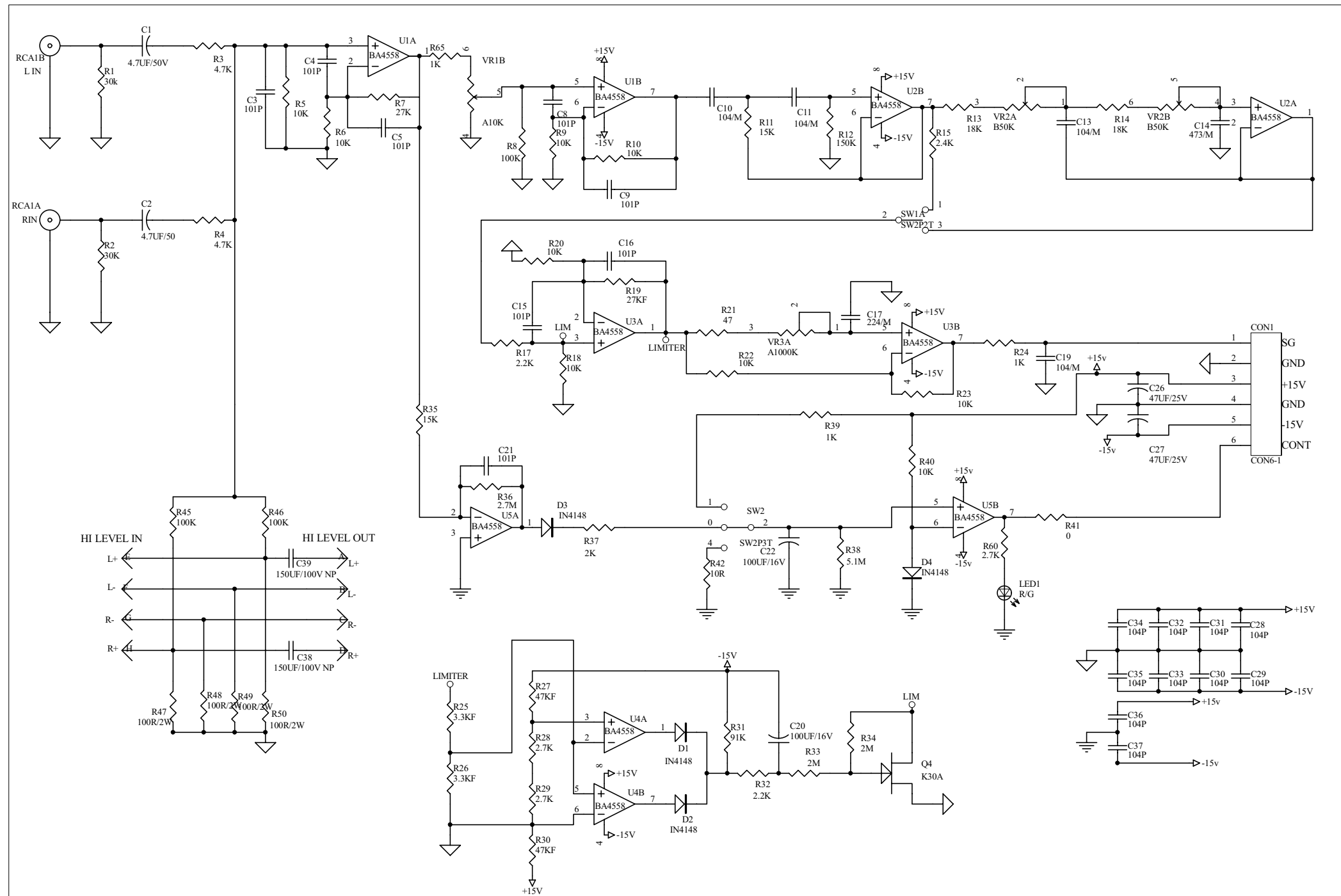
BRAND	EARTHQUAKE	
MODEL NO.	MINIME P10/12	
TITLE	AC SCHEMATIC	PAGE 1 OF 1



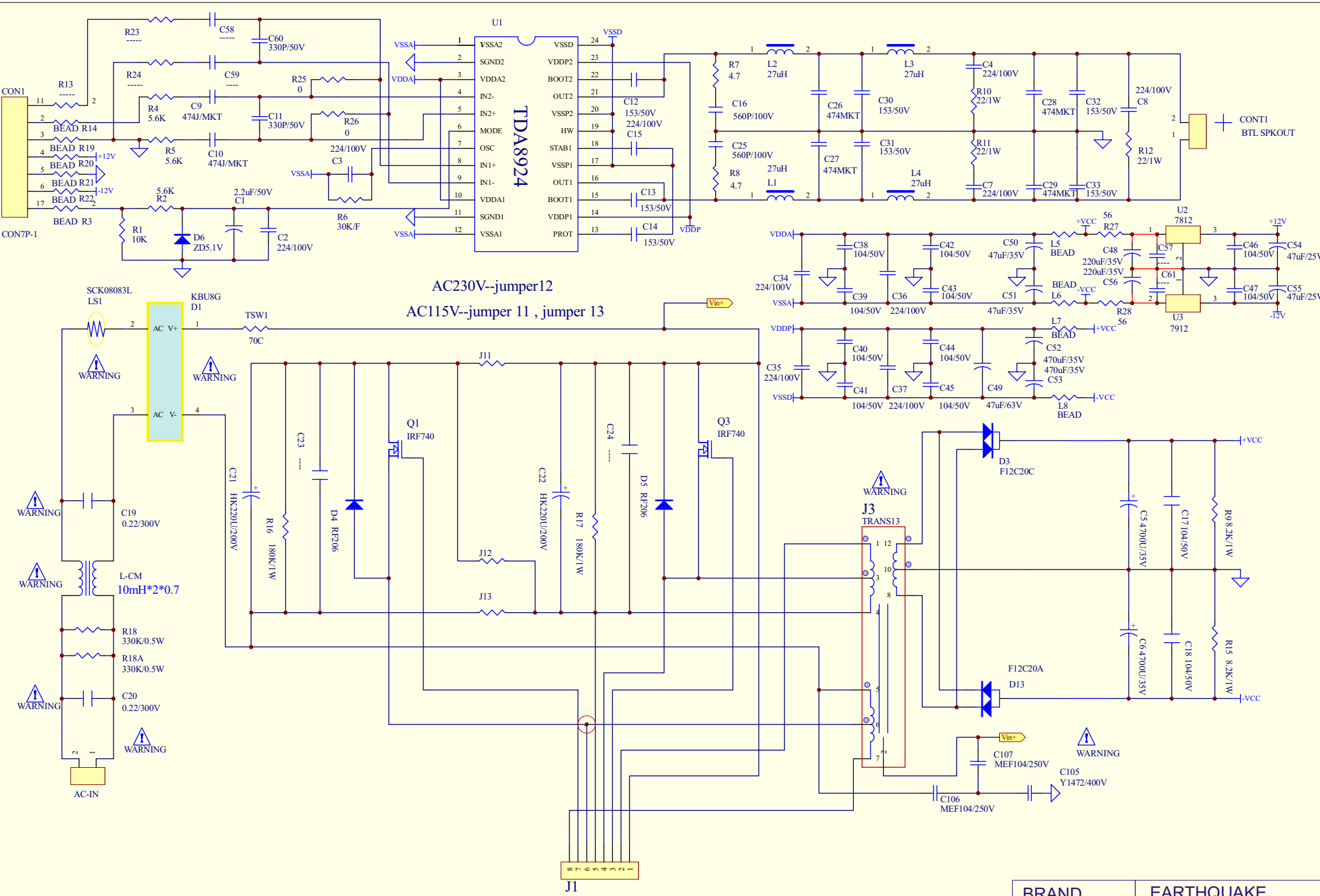
BRAND	EARTHQUAKE
MODEL NO.	MINIME P10/12
TITLE	END-AMP SCH
PAGE	2 OF 2



BRAND	EARTHQUAKE	
MODEL NO.	MINIME P10/12	
TITLE	PRE AMP SCH	PAGE 1 OF 1



BRAND	EARTHQUAKE
MODEL NO.	MINIME P8/P8W/FF8
TITLE	PRE SCH



BRAND	EARTHQUAKE
MODEL NO.	MINIME P8/P8W/FF8
TITLE	END SCH