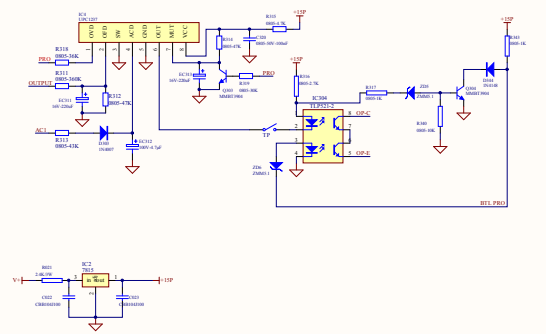
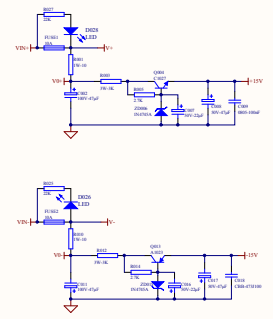
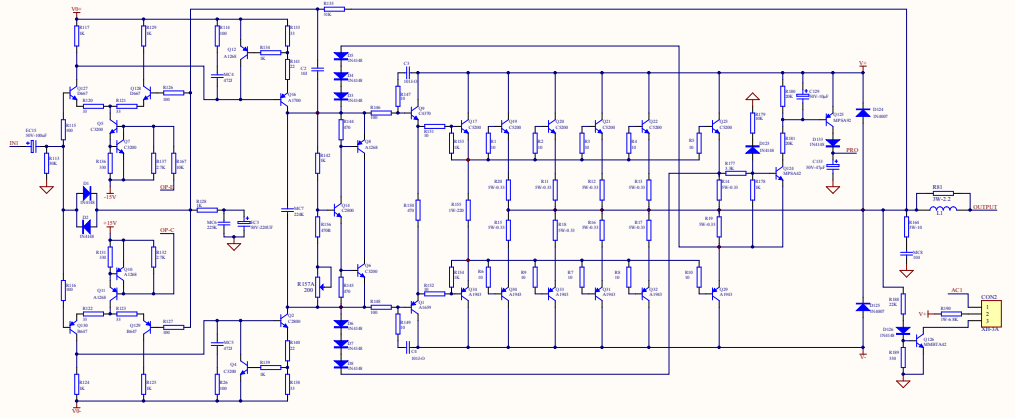
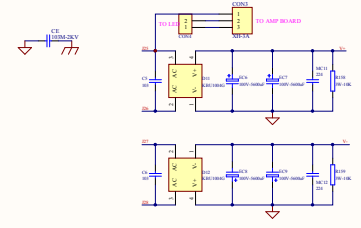
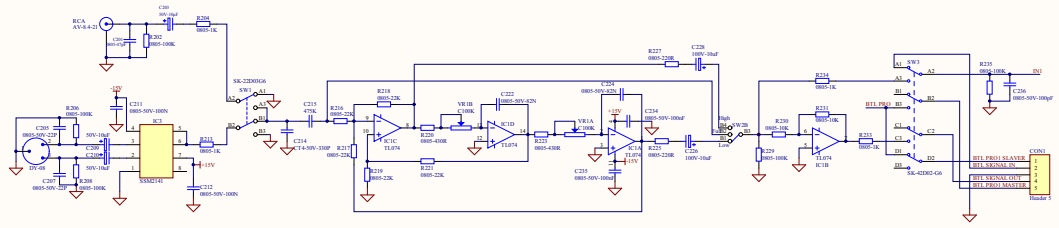
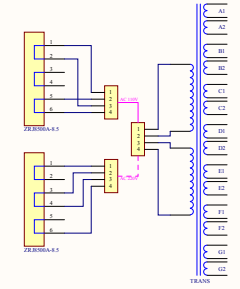
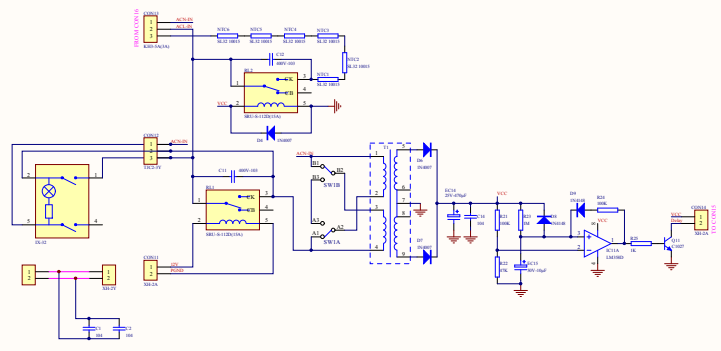
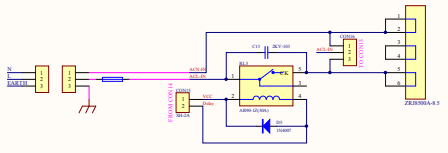


File	Number	Revision
A1		
2018-2-1		



File		
Date	2012/2/1	Sheet of 1
Page	1	1