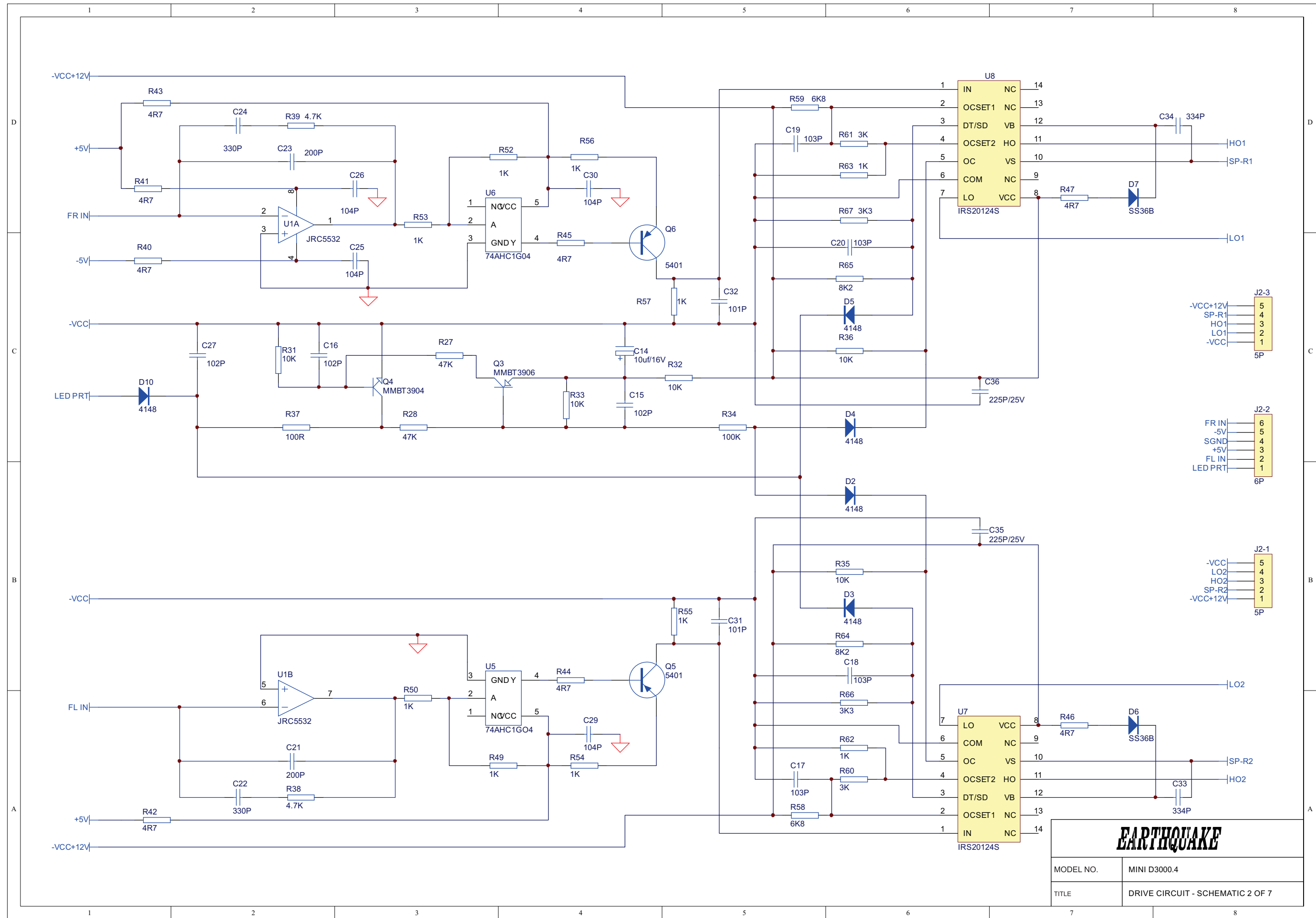
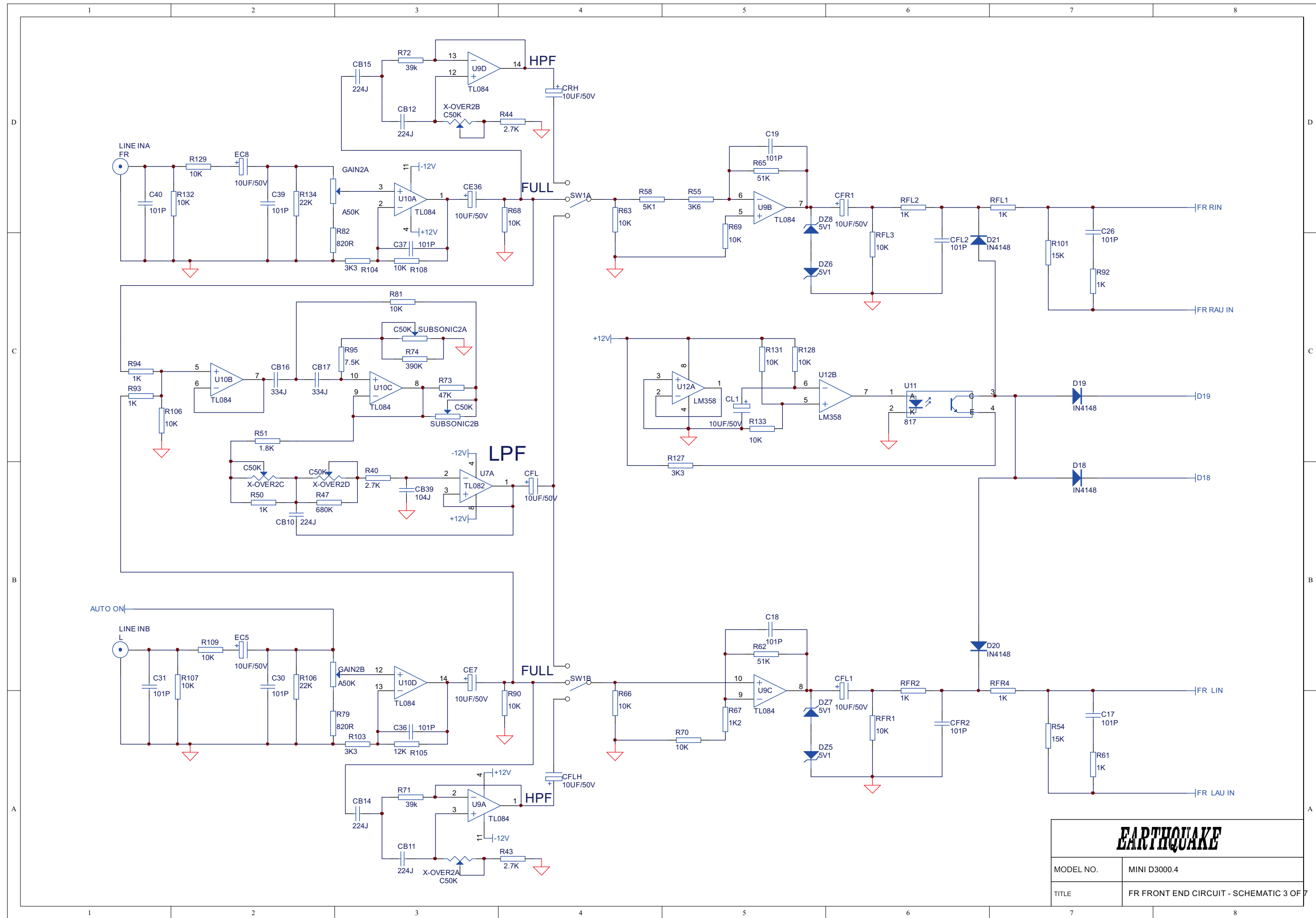


| | |
|-------------------|--------------------------------------|
| EARTHQUAKE | |
| MODEL NO. | MINI D3000.4 |
| TITLE | BOOT MODE CIRCUIT - SCHEMATIC 1 OF 7 |



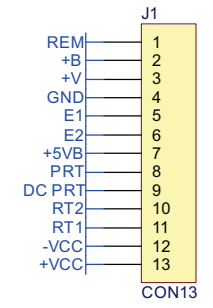
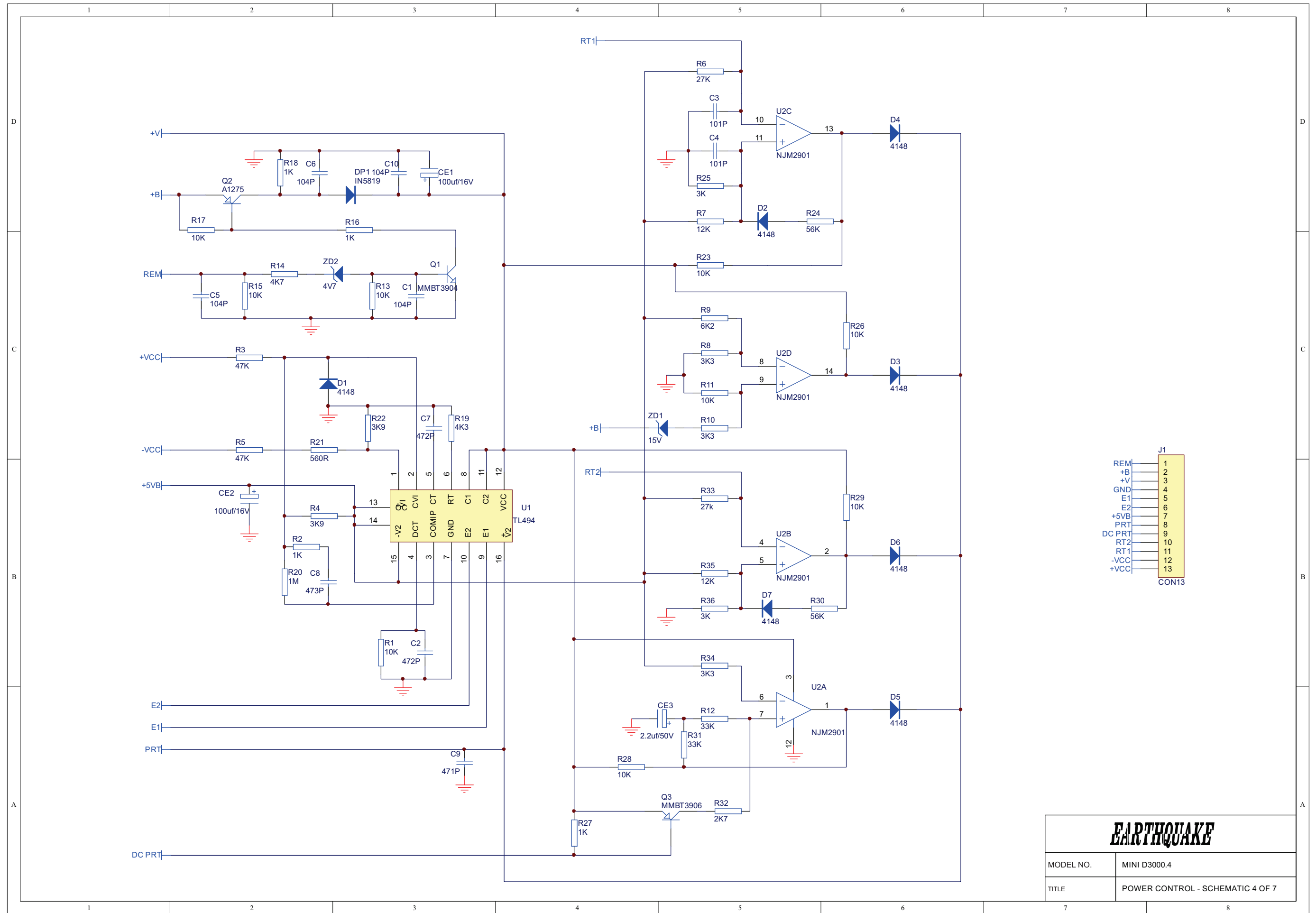
EARTHQUAKE

| | |
|-----------|----------------------------------|
| MODEL NO. | MINI D3000.4 |
| TITLE | DRIVE CIRCUIT - SCHEMATIC 2 OF 7 |

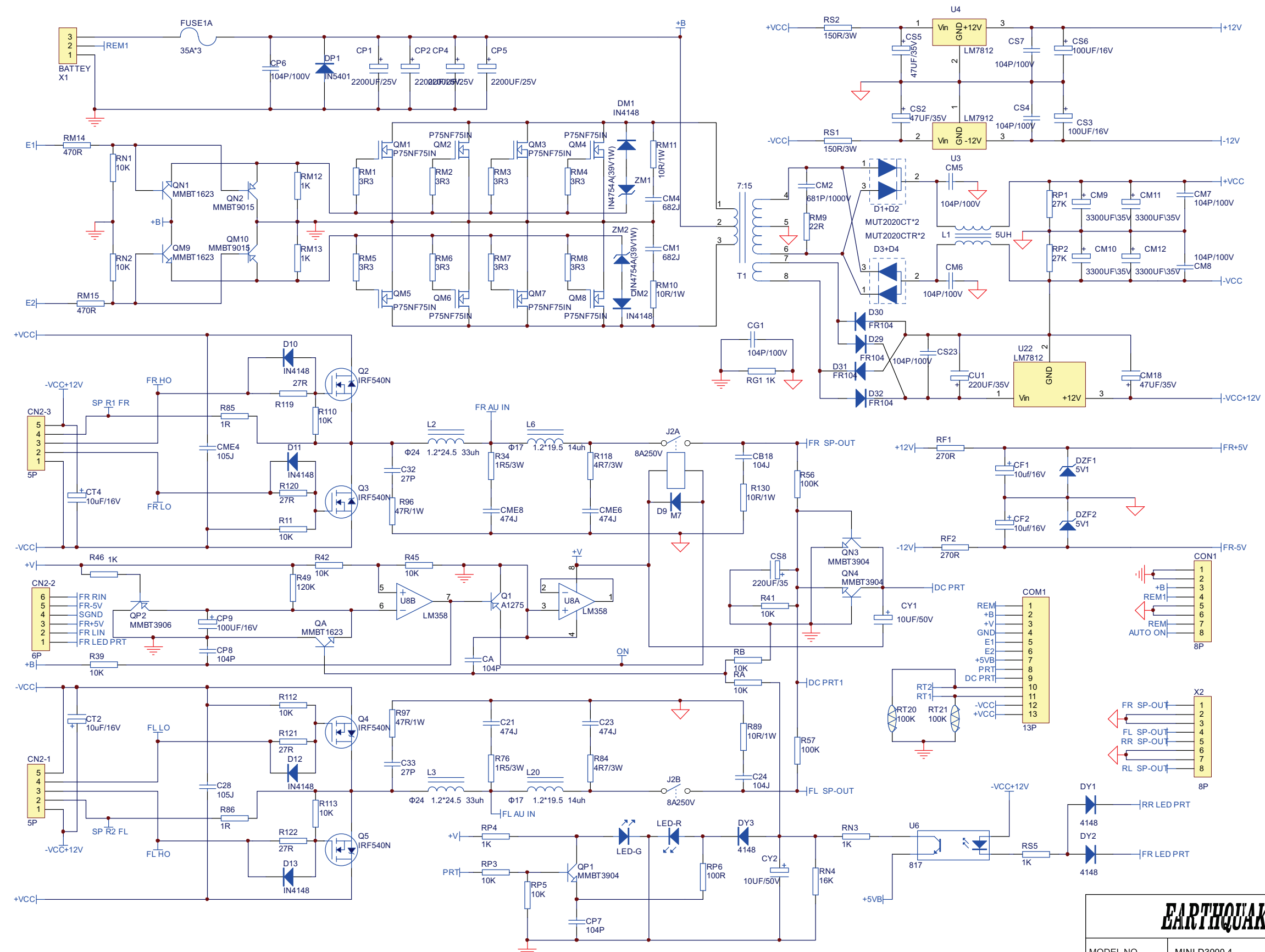


EARTHQUAKE

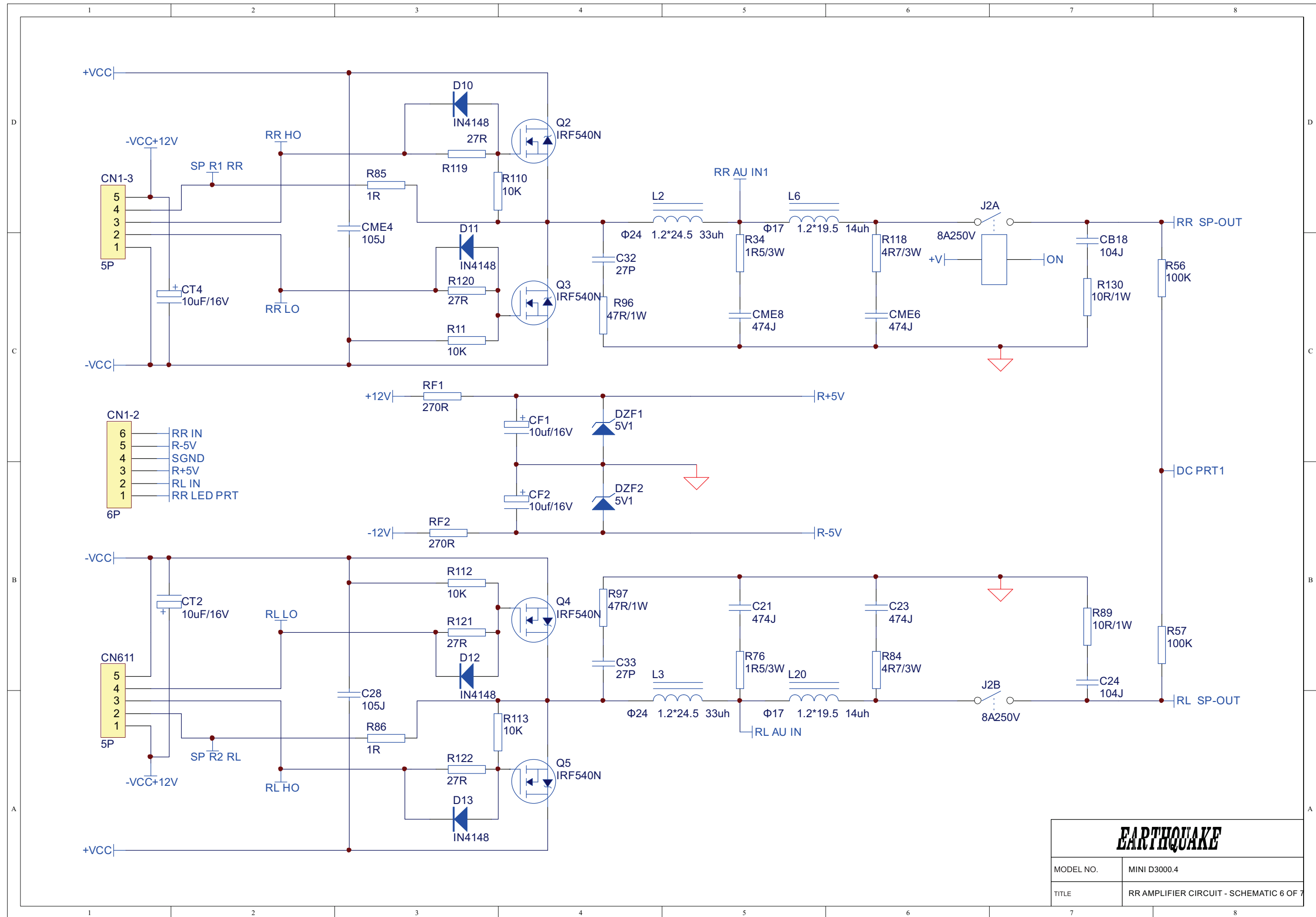
| | |
|-----------|---|
| MODEL NO. | MINI D3000.4 |
| TITLE | FR FRONT END CIRCUIT - SCHEMATIC 3 OF 7 |



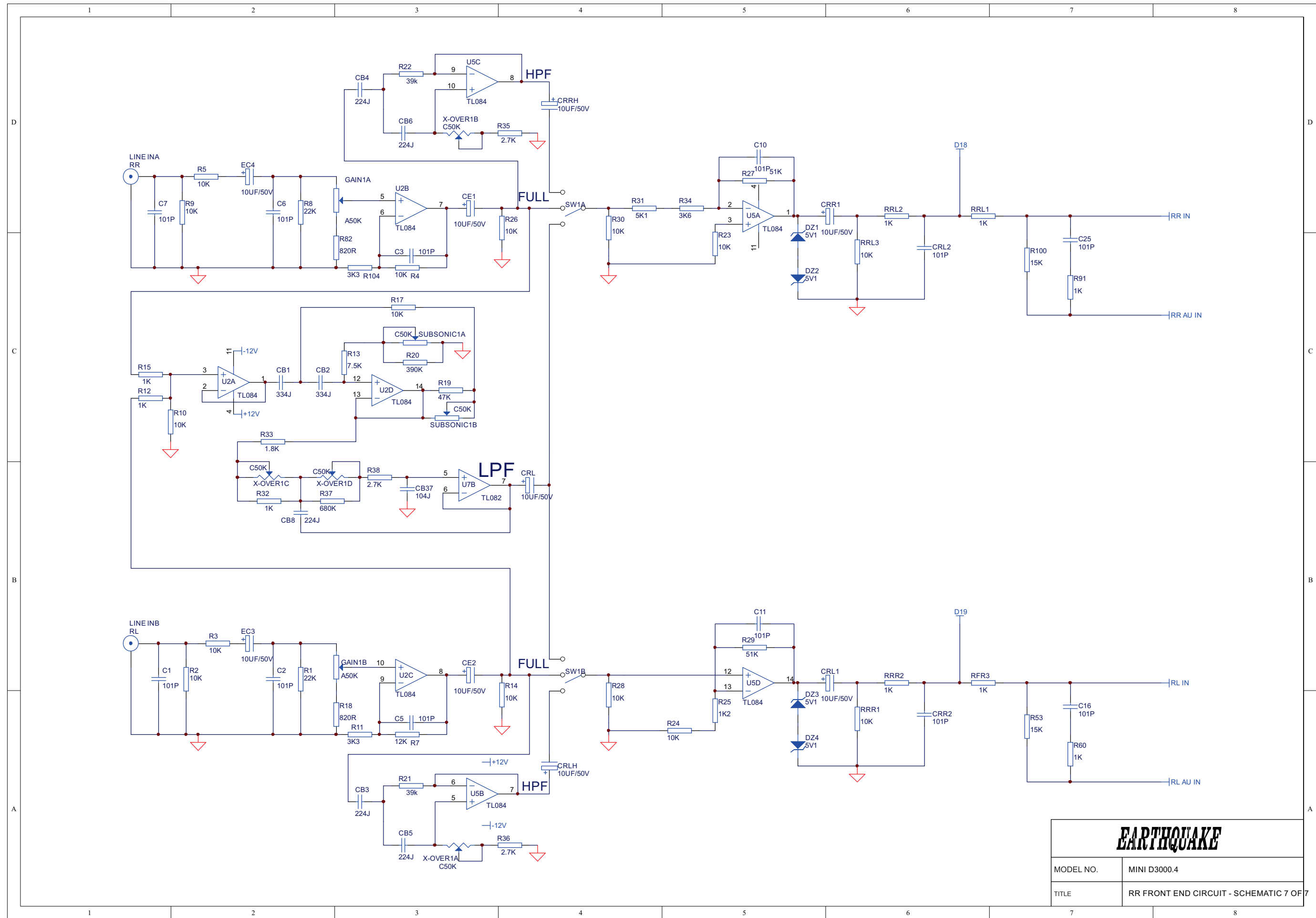
| | |
|-------------------|----------------------------------|
| EARTHQUAKE | |
| MODEL NO. | MINI D3000.4 |
| TITLE | POWER CONTROL - SCHEMATIC 4 OF 7 |



| | |
|-------------------|---|
| EARTHQUAKE | |
| MODEL NO. | MINI D3000.4 |
| TITLE | POWER FR AMP CIRCUIT - SCHEMATIC 5 OF 7 |



| | |
|-------------------|---|
| EARTHQUAKE | |
| MODEL NO. | MINI D3000.4 |
| TITLE | RR AMPLIFIER CIRCUIT - SCHEMATIC 6 OF 7 |



EARTHQUAKE

| | |
|-----------|---|
| MODEL NO. | MINI D3000.4 |
| TITLE | RR FRONT END CIRCUIT - SCHEMATIC 7 OF 7 |