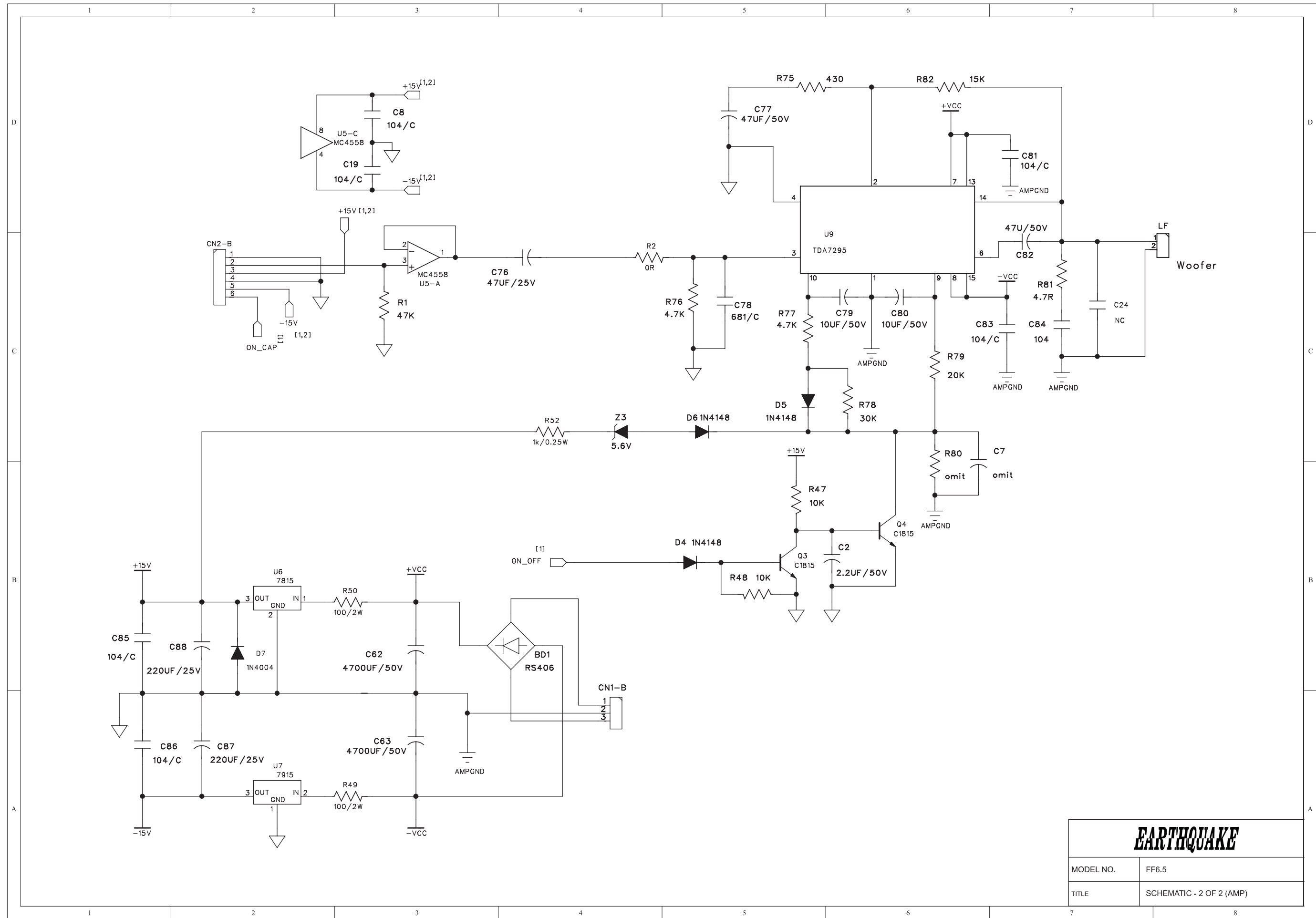


EARTHQUAKE	
MODEL NO.	FF6.5
TITLE	SCHEMATIC - 1 OF 2 (PRE-AMP)



EARTHQUAKE	
MODEL NO.	FF6.5
TITLE	SCHEMATIC - 2 OF 2 (AMP)