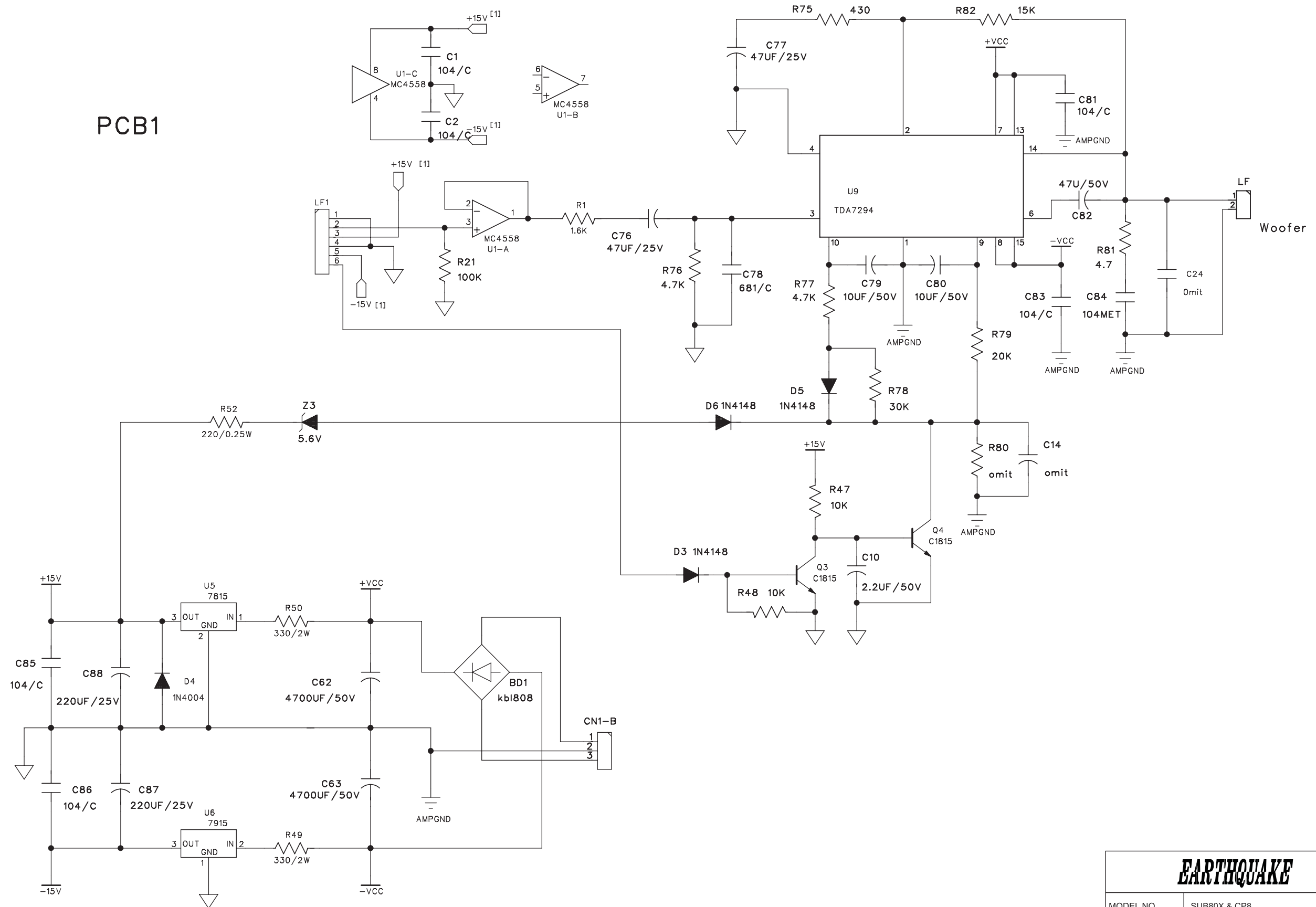


EARTHQUAKE	
MODEL NO.	SUB80X & CP8
TITLE	SCHEMATIC - 1 OF 2

PCB1



EARTHQUAKE

MODEL NO.	SUB80X & CP8
TITLE	SCHEMATIC - 2 OF 2