

# Q10B Tactile Transducer

## Mounting Information

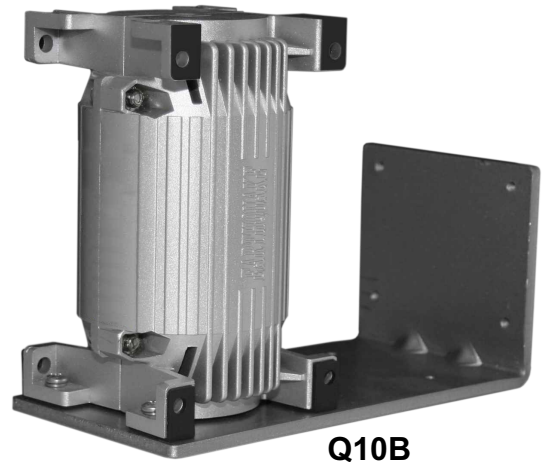


### Q10B Platform

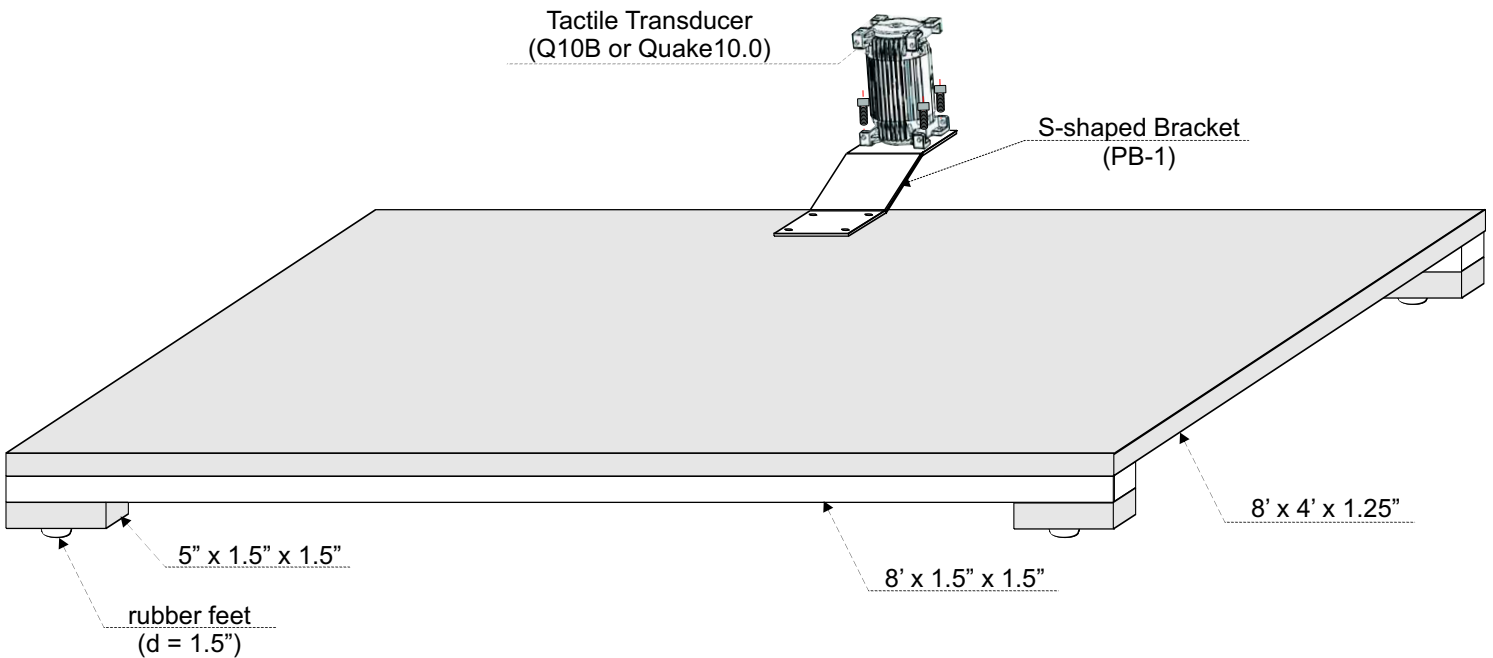
The diagram below is a set-up option for the Q10B. Multiple bracketing options offer different set-up options depending on the desired effect. The "S" shaped bracket, or PB-1 can be used instead of the supplied bracket to intensify the tactile effect.



**PB-1**



**Q10B**



### Q10B Specifications

**Rec. Amplifier Power:**

40 - 1000 Watts

**Impedance:**

8 Ohms

**Frequency Response:**

5 - 40 Hz

**Dimensions (HxWxD):**

H = 3 9/16" • 90.4875mm

W = 6 3/16" • 157.1625mm

D = 3 9/16" • 90.4875mm