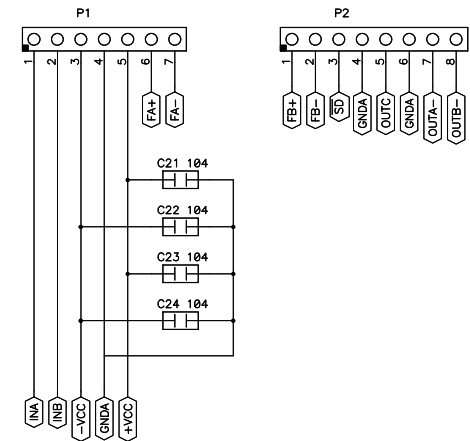
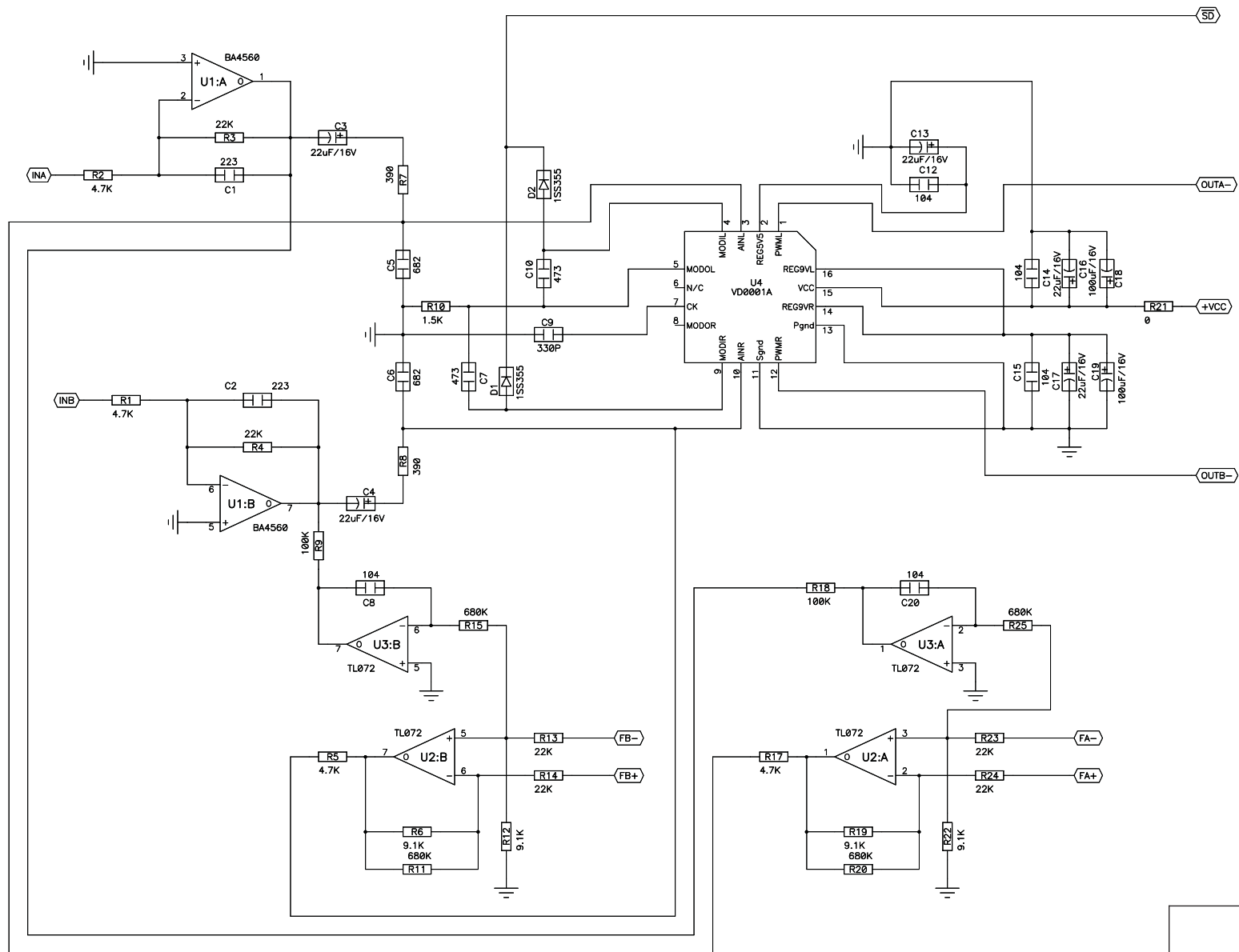
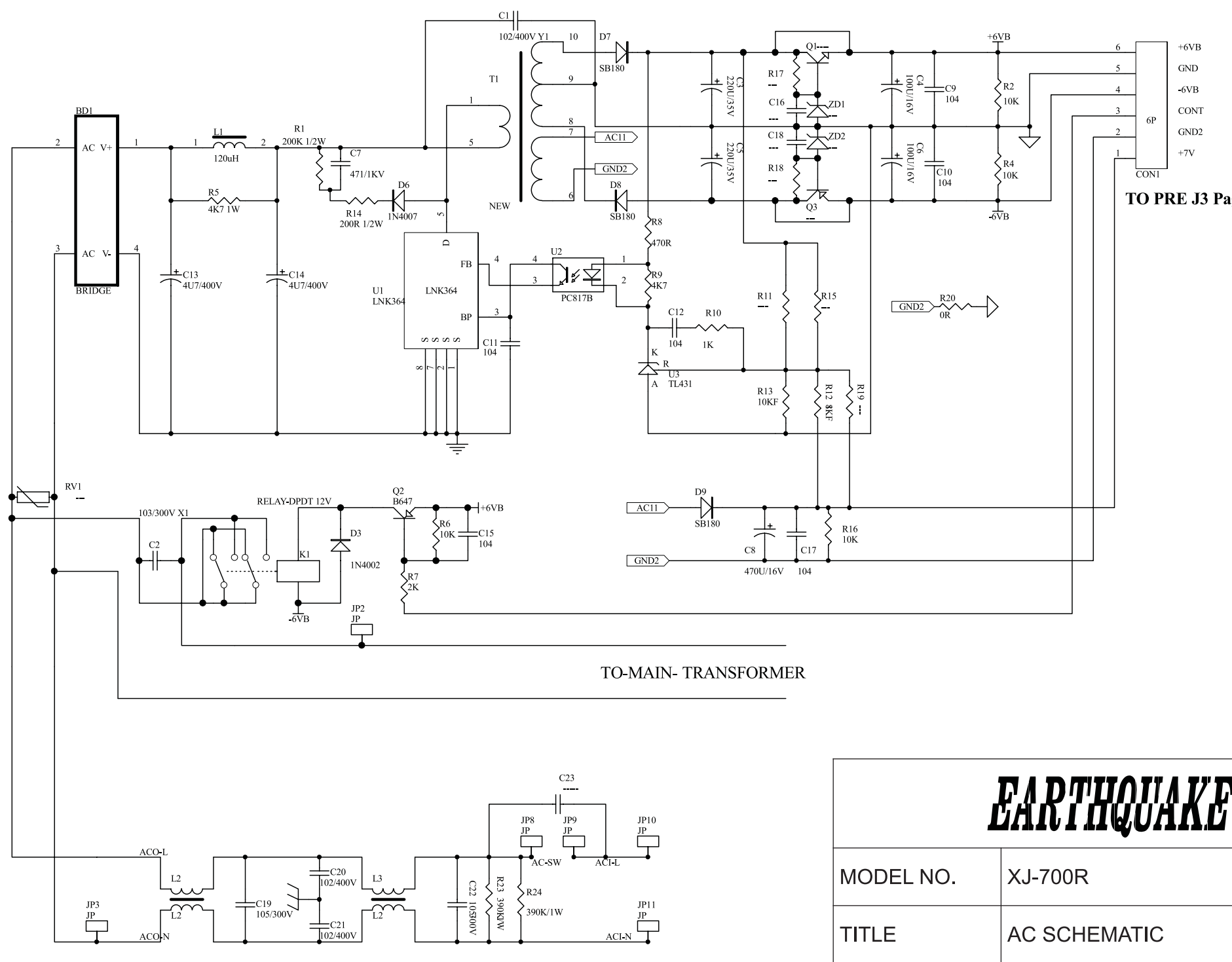


EARTHQUAKE

MODEL NO.	XJ-700R
TITLE	END DRIVER SCHEMATIC



EARTHQUAKE	
MODEL NO.	XJ-700R
TITLE	END (PWM) SCHEMATIC



TO PRE J3 Page 1

TO-MAIN- TRANSFORMER

EARTHQUAKE EARTHQUAKE

MODEL NO.	XJ-700R
TITLE	AC SCHEMATIC

EARTHQUAKE EARTHQUAKE

MODEL NO.

XJ-700R

TITLE

END SCHEMATIC - 1 OF 2

TO PRE J1 Page 1

