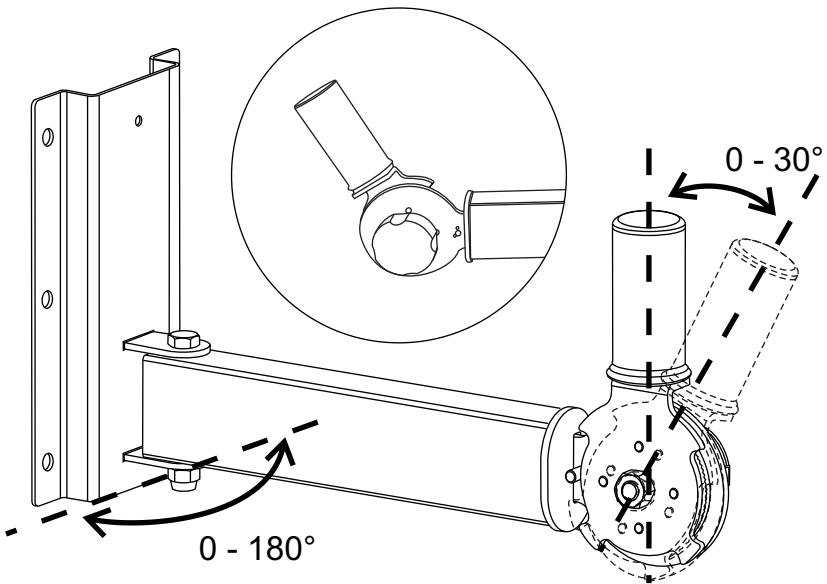




The Sound That Will Move You

SM-238

Installation Guide



Earthquake Sound Corporation

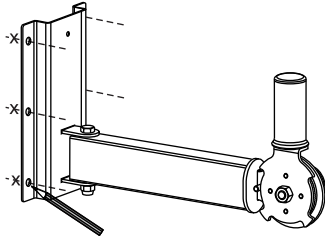
2727 McCone Avenue. Hayward, CA 94545.USA

US Toll Free: 1-800-576-7944 | Tel: 510-732-1000 | Fax: 510-732-1095

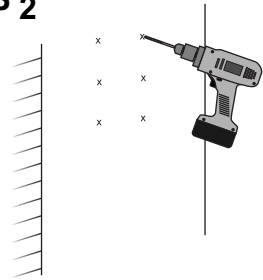
www.earthquakesound.com

INSTALLATION GUIDE

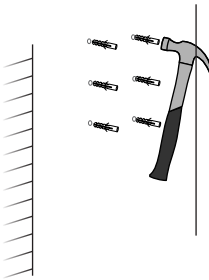
STEP 1



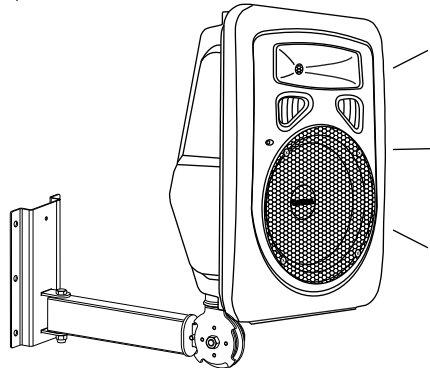
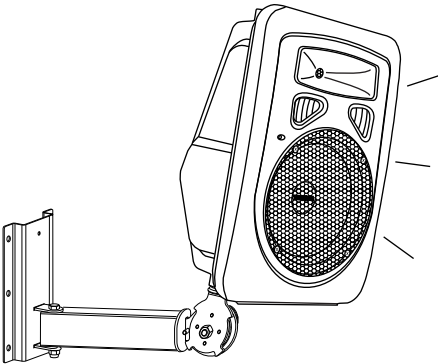
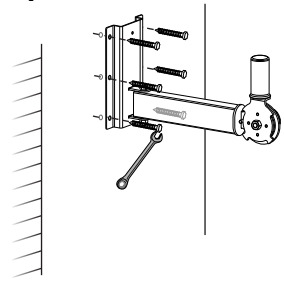
STEP 2



STEP 3



STEP 4



ADJUSTING MOUNTING POST ANGLE

STEP 1

Loosen the locking knob.

STEP 2

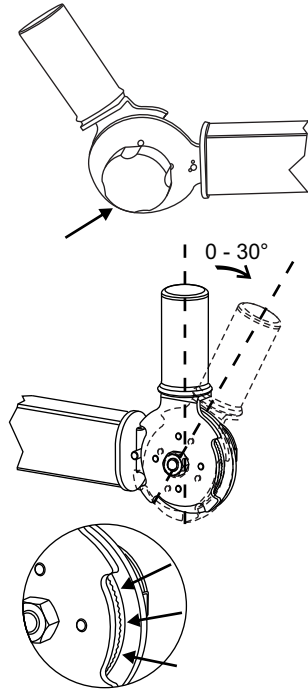
Adjust the angle of the mounting post by rotating the post. The SM-238 mounting post can be adjusted from 0° (upright position) to 30° angle. Each gear click equates to about 4° adjustment.

STEP 3

Make sure the gear teeth are properly aligned, then tighten the locking knob.

STEP 4

Place speaker on to the SM-238 and secure speaker accordingly.



CARE & SAFETY INSTRUCTIONS

- ▶ Use only with speakers that have stand adapter sleeves installed or are stand mountable.
- ▶ Occasionally clean the speaker mount with damp cloth or non-abrasive cleaner.
- ▶ Install the speaker **ONLY** when the mount post is at the desired angle (0° to 30°) and securely locked.
- ▶ We recommend adding a safety wire (not included) to the speaker and anchor it to the building structure.

SPECIFICATIONS

Angle Adjustments

post: 0° - 30°
arm: 0° - 180°

Max Load Capacity

0° (post): 66 lbs (30 kgs)
30° (post): 33 lbs (15 kgs)

Material

Steel

Color

Black

