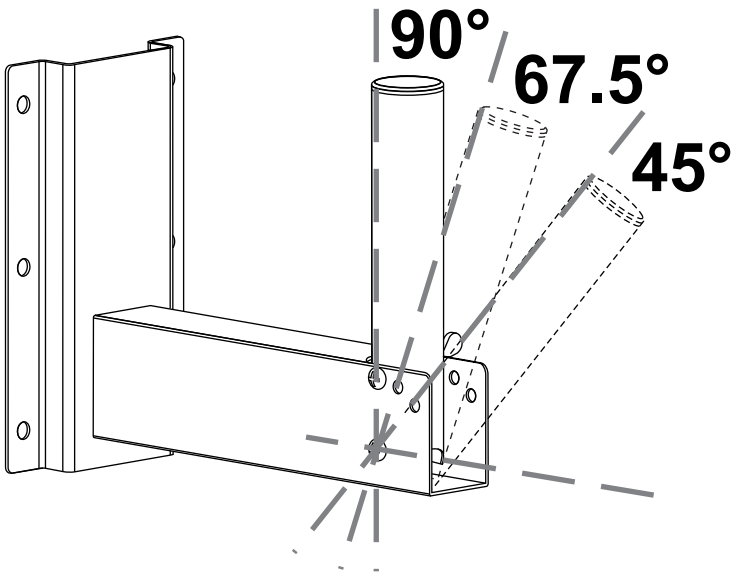




The Sound That Will Move You

SM-145

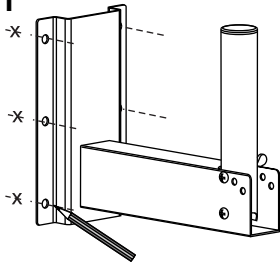
Installation Guide



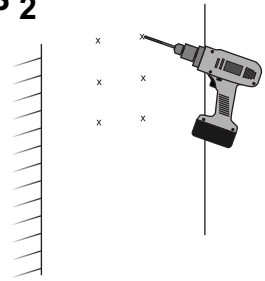
Earthquake Sound Corporation
2727 McCone Avenue. Hayward, CA 94545.USA
US Toll Free: 1-800-576-7944 | Tel: 510-732-1000 | Fax: 510-732-1095
www.earthquakesound.com

INSTALLATION GUIDE

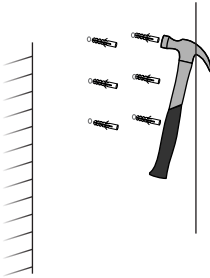
STEP 1



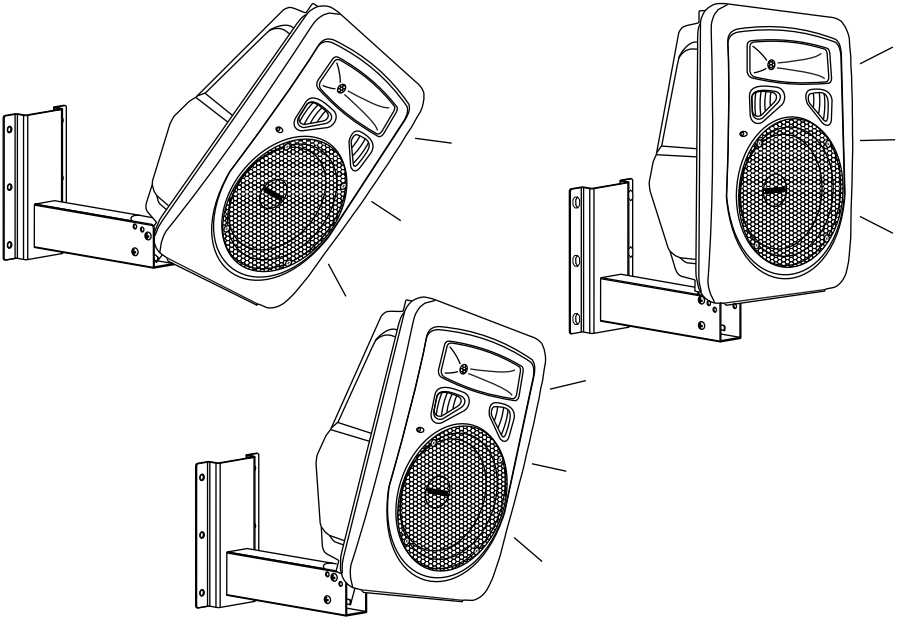
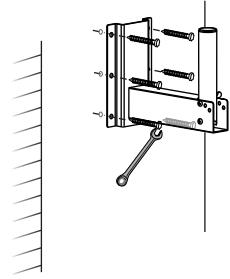
STEP 2



STEP 3



STEP 4



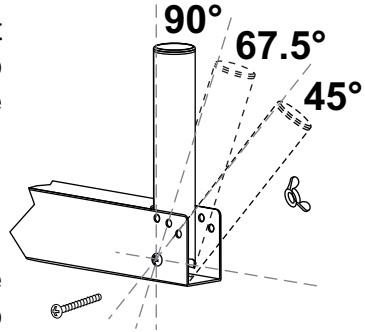
ADJUSTING MOUNTING POST ANGLE

STEP 1

Loosen and remove the wing nut and locking screw.

STEP 2

Adjust the angle of the mounting post by aligning the holes on the post to those on the mounting base. The SM-145 has three angle options: 45°, 67.5° and 90°.



STEP 3

Insert the locking screw through the holes and tighten the wing nut to secure the mounting post.

STEP 4

Place speaker on to the SM-145 and secure speaker accordingly.

CARE & SAFETY INSTRUCTIONS

- ▶ Use only with speakers that have stand adapter sleeves installed or are stand mountable.
- ▶ Occasionally clean the speaker mount with damp cloth or non-abrasive cleaner.
- ▶ Install the speaker **ONLY** when the mount post is at the desired angle (45°, 67.5° or 90°) and securely locked.
- ▶ We recommend adding a safety wire (not included) to the speaker and anchor it to the building structure.

SPECIFICATIONS

Angle Adjustments	45°, 67.5° and 90°
Max Load Capacity	45°: 33 lbs (15 kgs) 67.5°: 49 lbs (22 kgs) 90°: 66 lbs (30 kgs)
Material	Steel
Color	Black

