

1 2 3 4 5 6 7 8

D

C

B

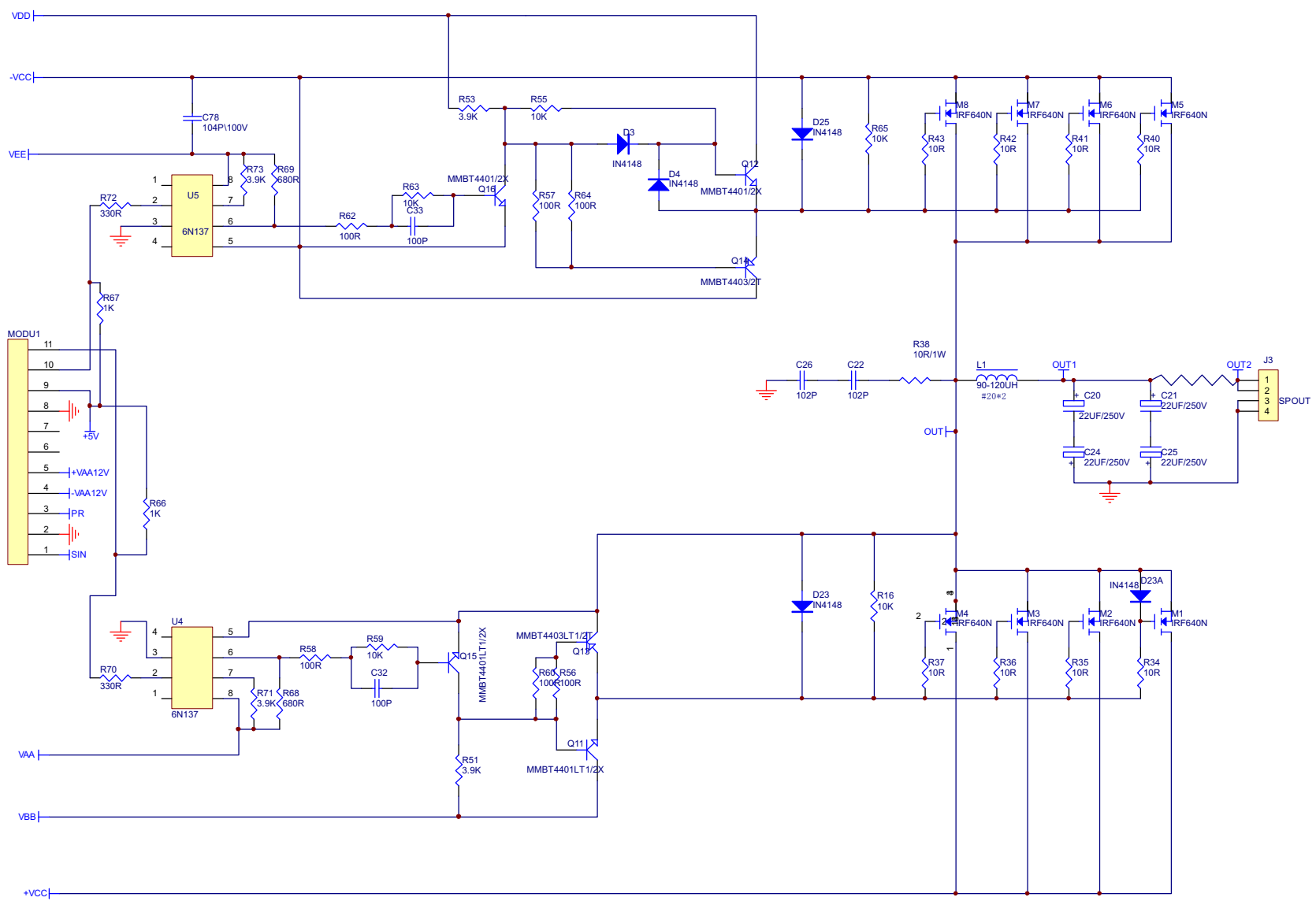
A

D

C

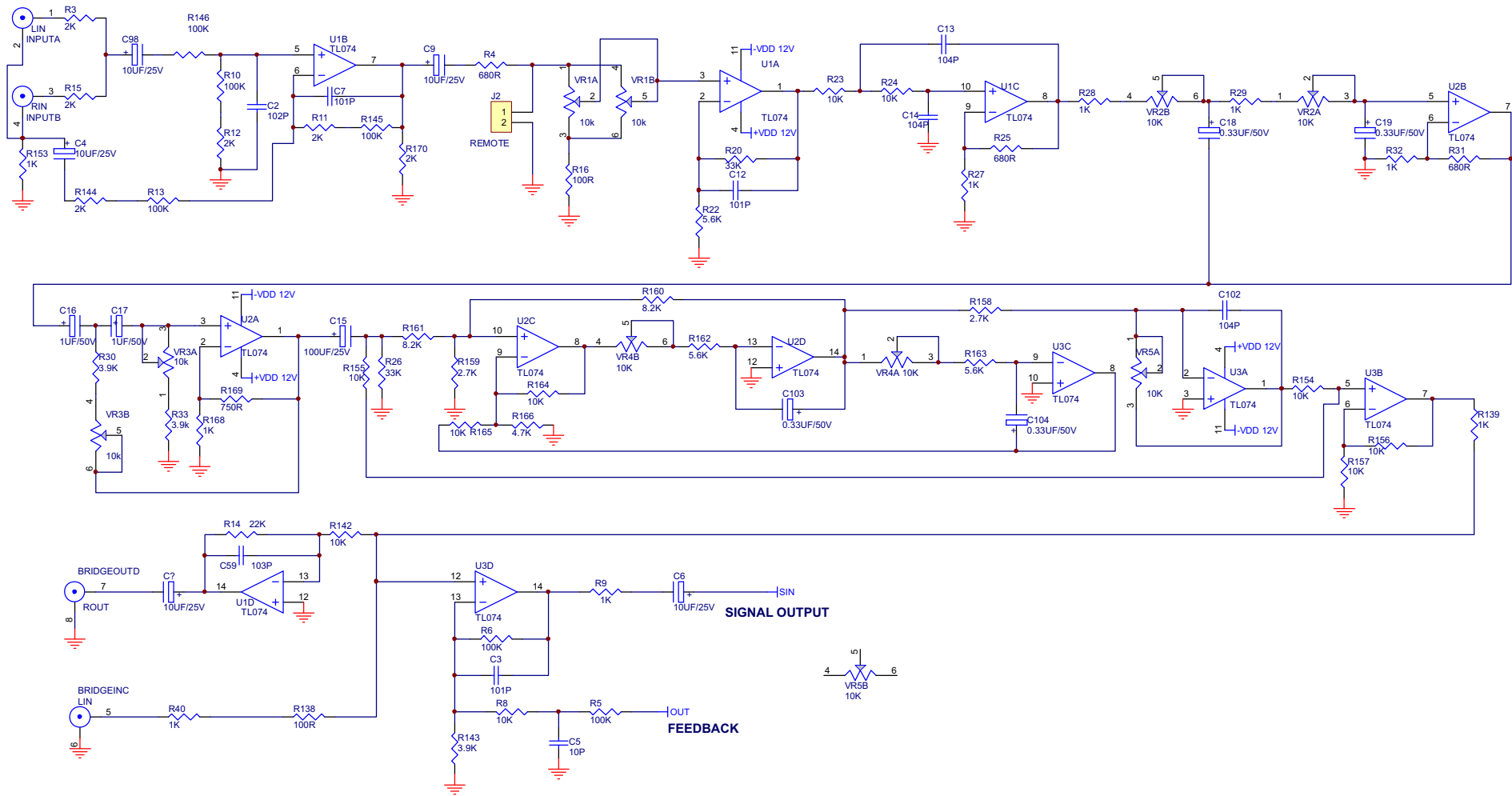
B

A

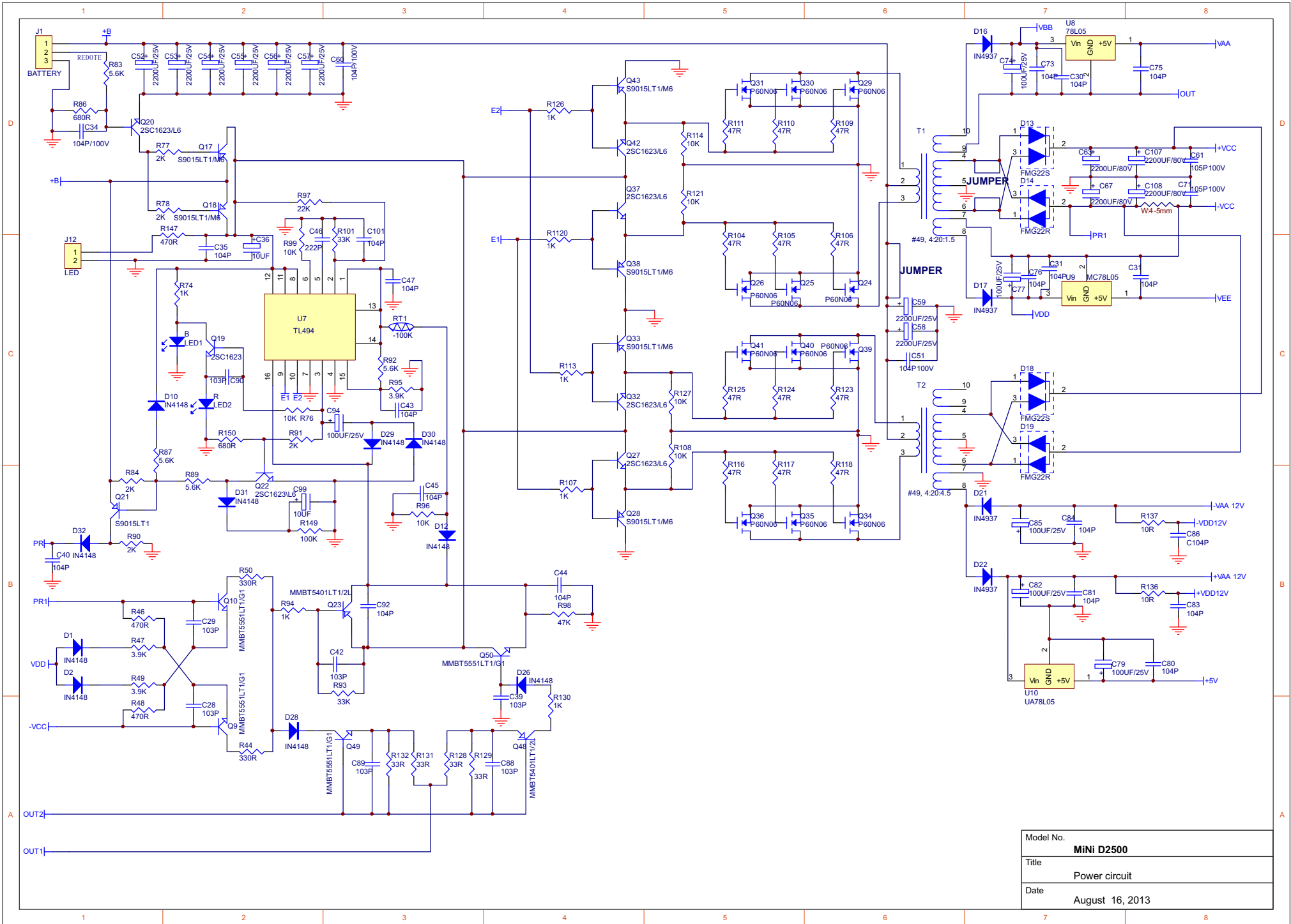


Model No.	MINI D2500
Title	Amp circuit
Date	August 16, 2013

1 2 3 4 5 6 7 8



Model No.	Mini D2500
Title	Front Unit
Date	August 16, 2013



Model No.	Mini D2500
Title	Power circuit
Date	August 16, 2013