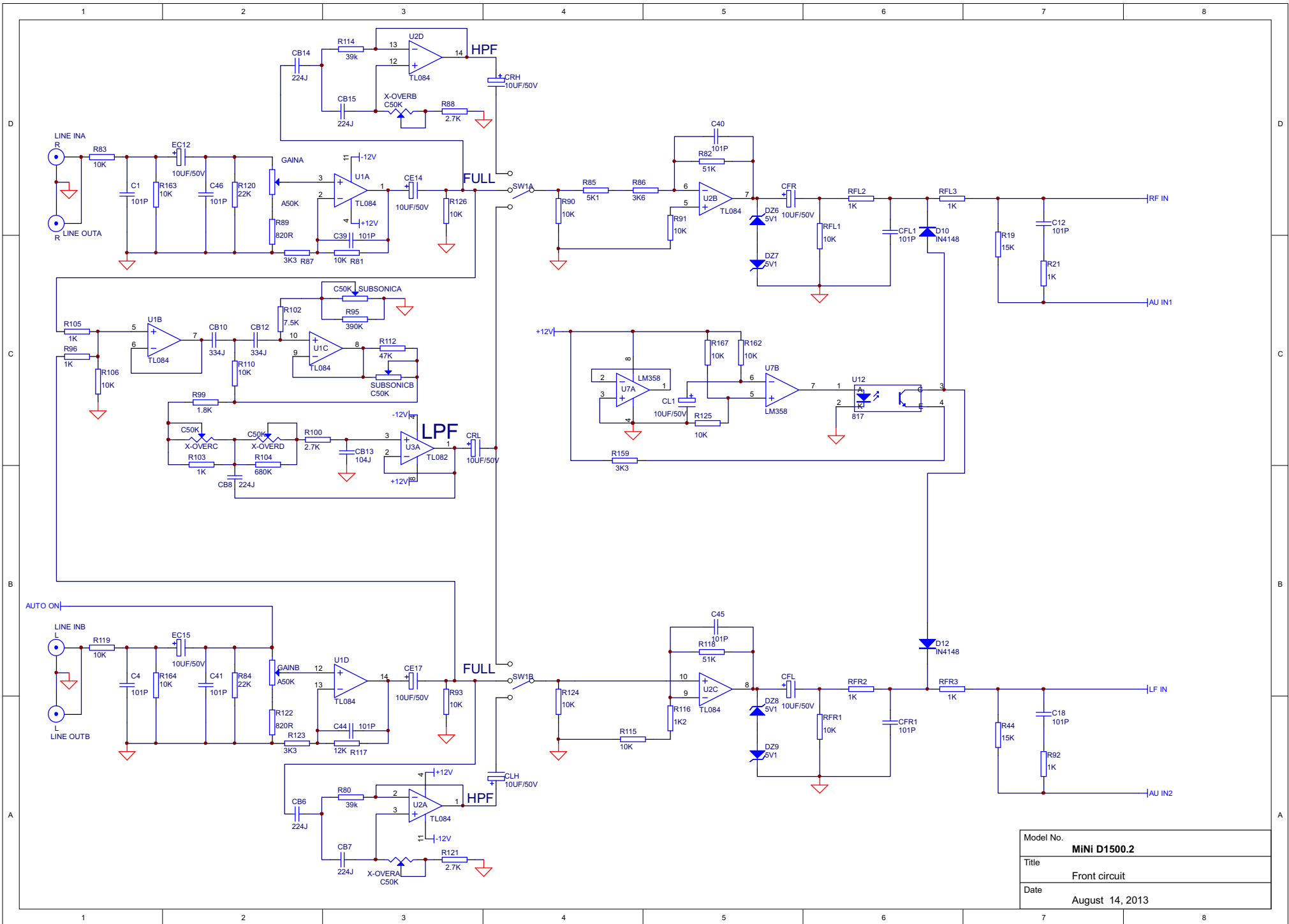
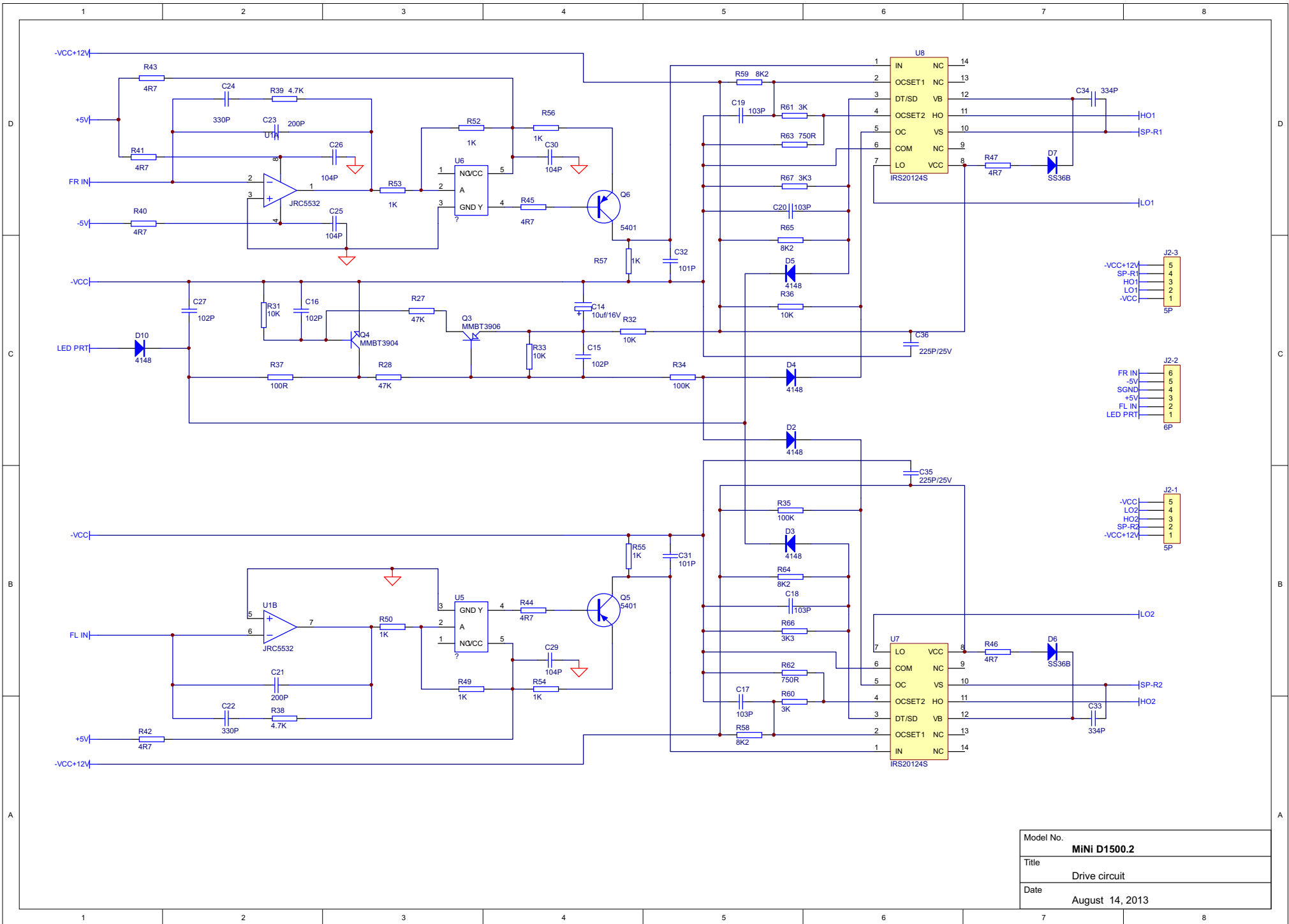


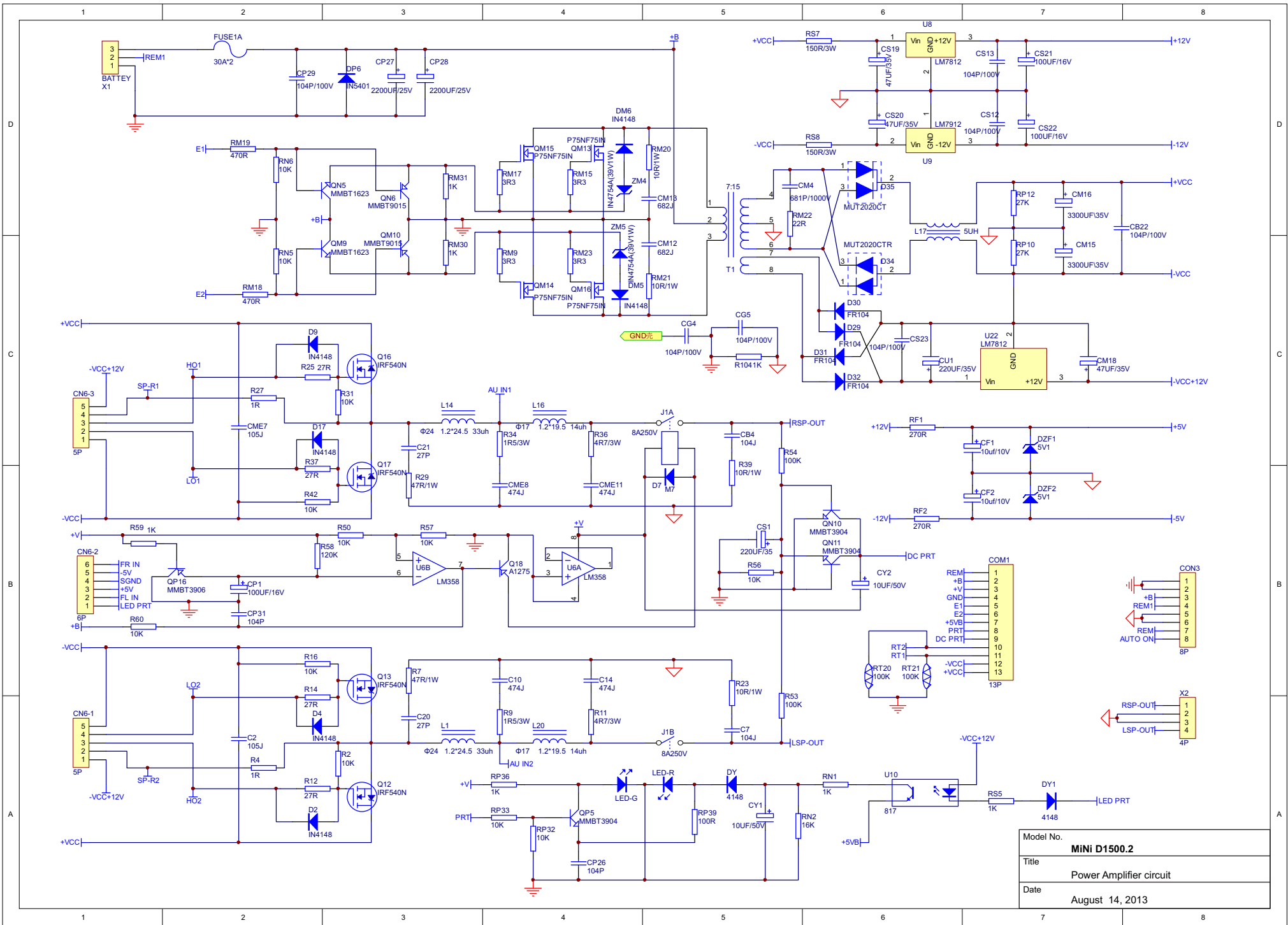
Model No.	MINI D1500.2
Title	Start mode circuit
Date	August 14, 2013



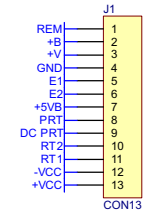
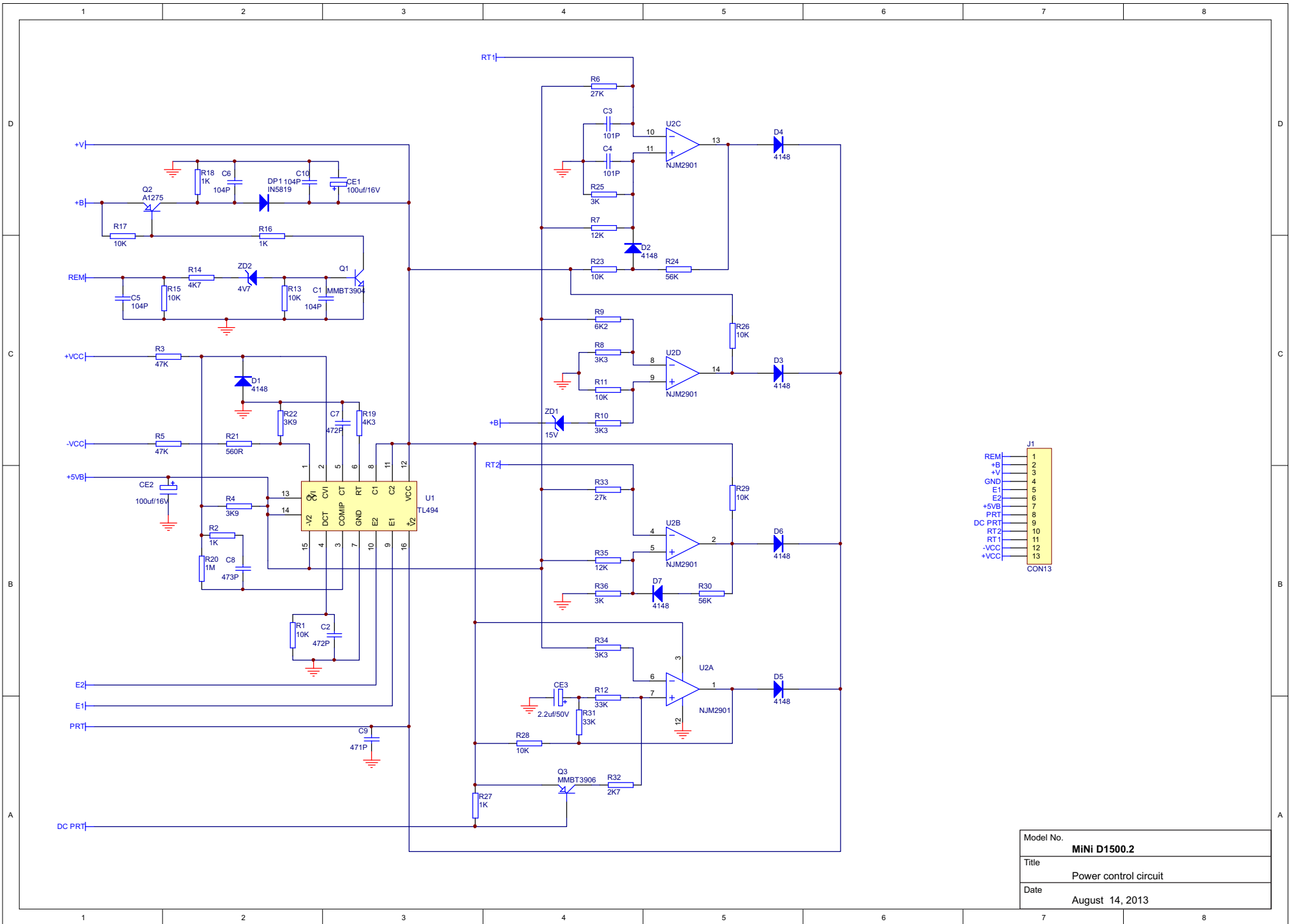
Model No.	MINI D1500.2
Title	Front circuit
Date	August 14, 2013



Model No.	MINI D1500.2
Title	Drive circuit
Date	August 14, 2013



Model No.	Mini D1500.2
Title	Power Amplifier circuit
Date	August 14, 2013



Model No.	MINI D1500.2
Title	Power control circuit
Date	August 14, 2013