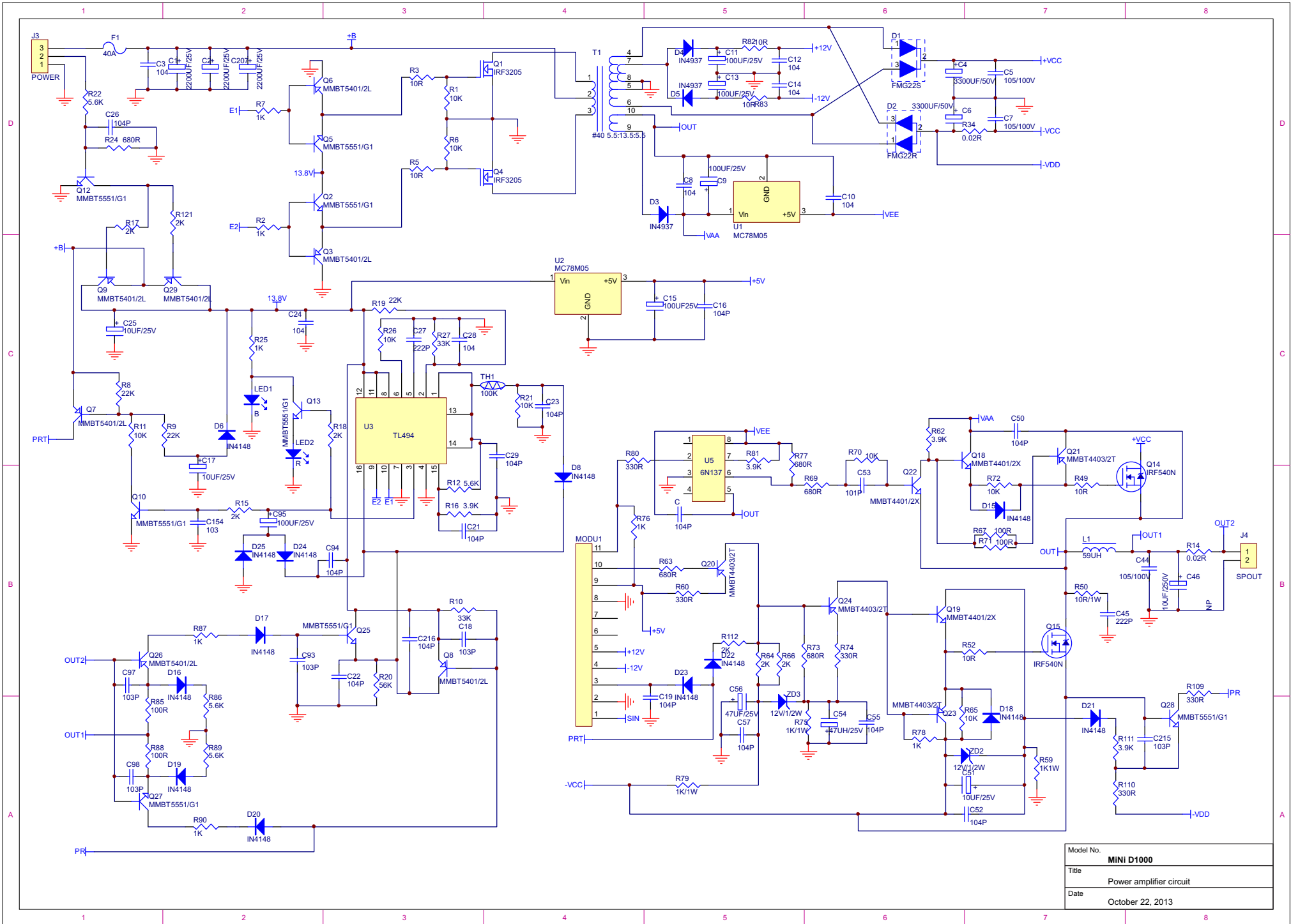


| | |
|-----------|-------------------------|
| Model No. | MINI D1000 |
| Title | Front circuit |
| Date | October 22, 2013 |



| | |
|-----------|-------------------------|
| Model No. | MINI D1000 |
| Title | Power amplifier circuit |
| Date | October 22, 2013 |