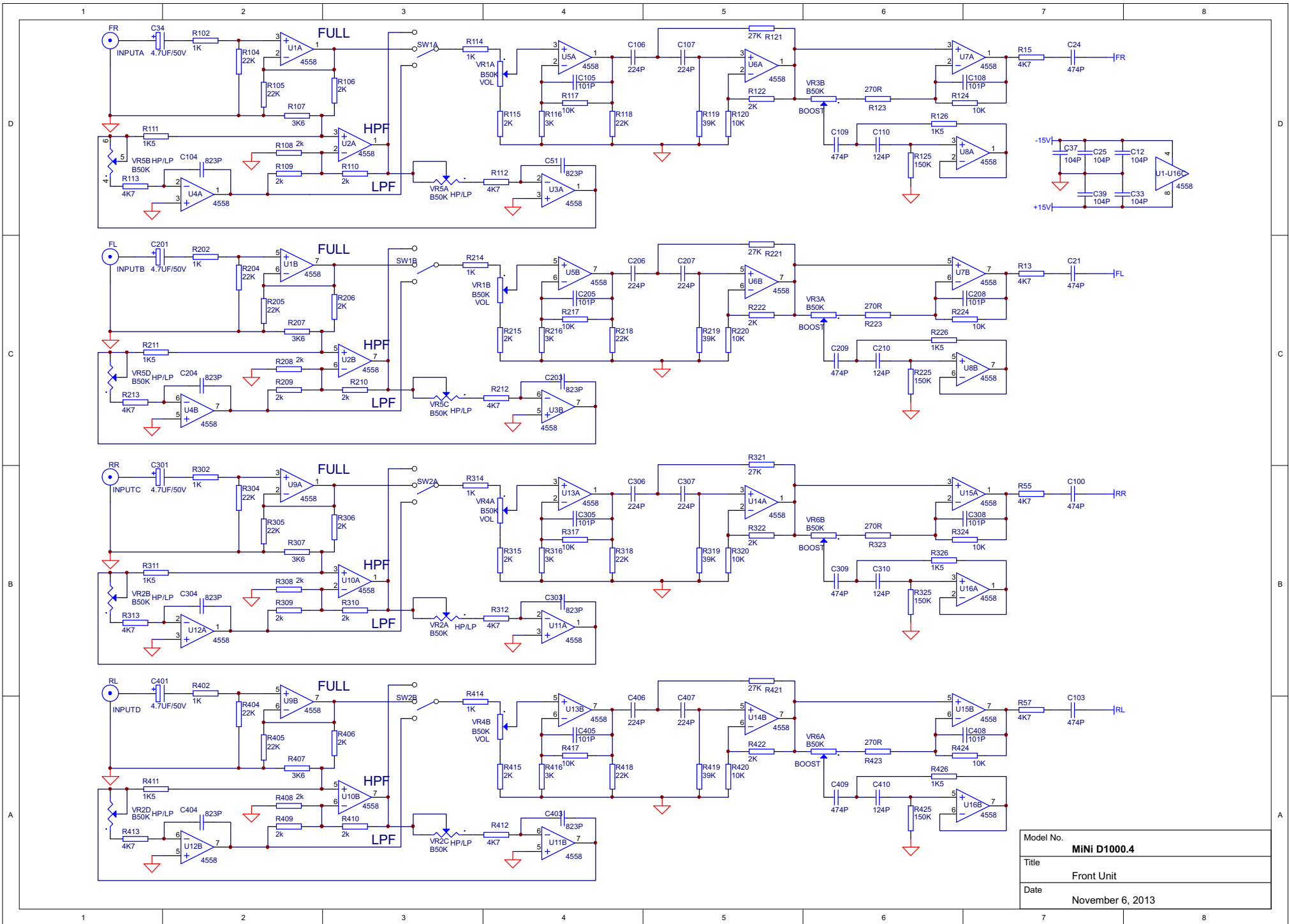
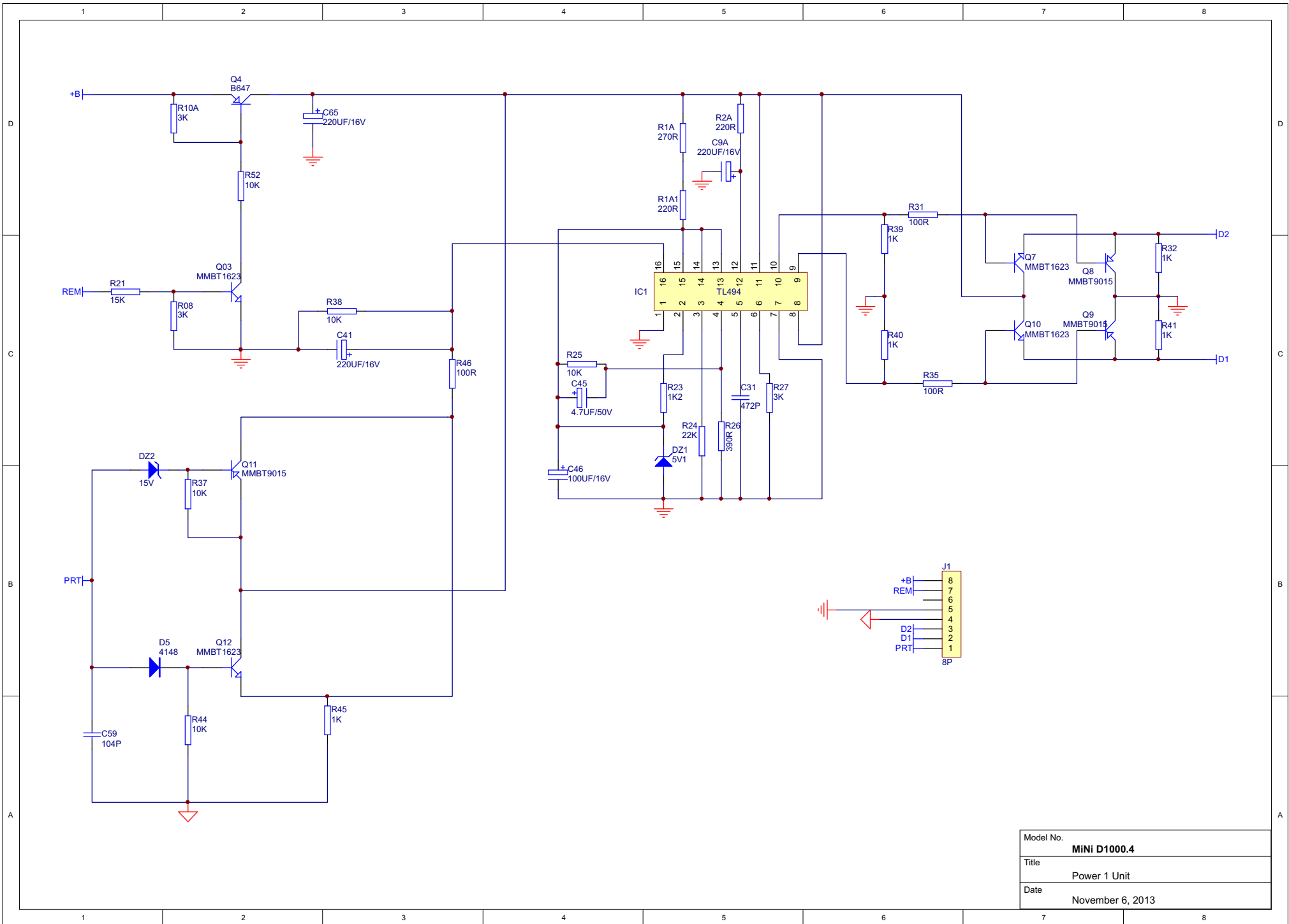


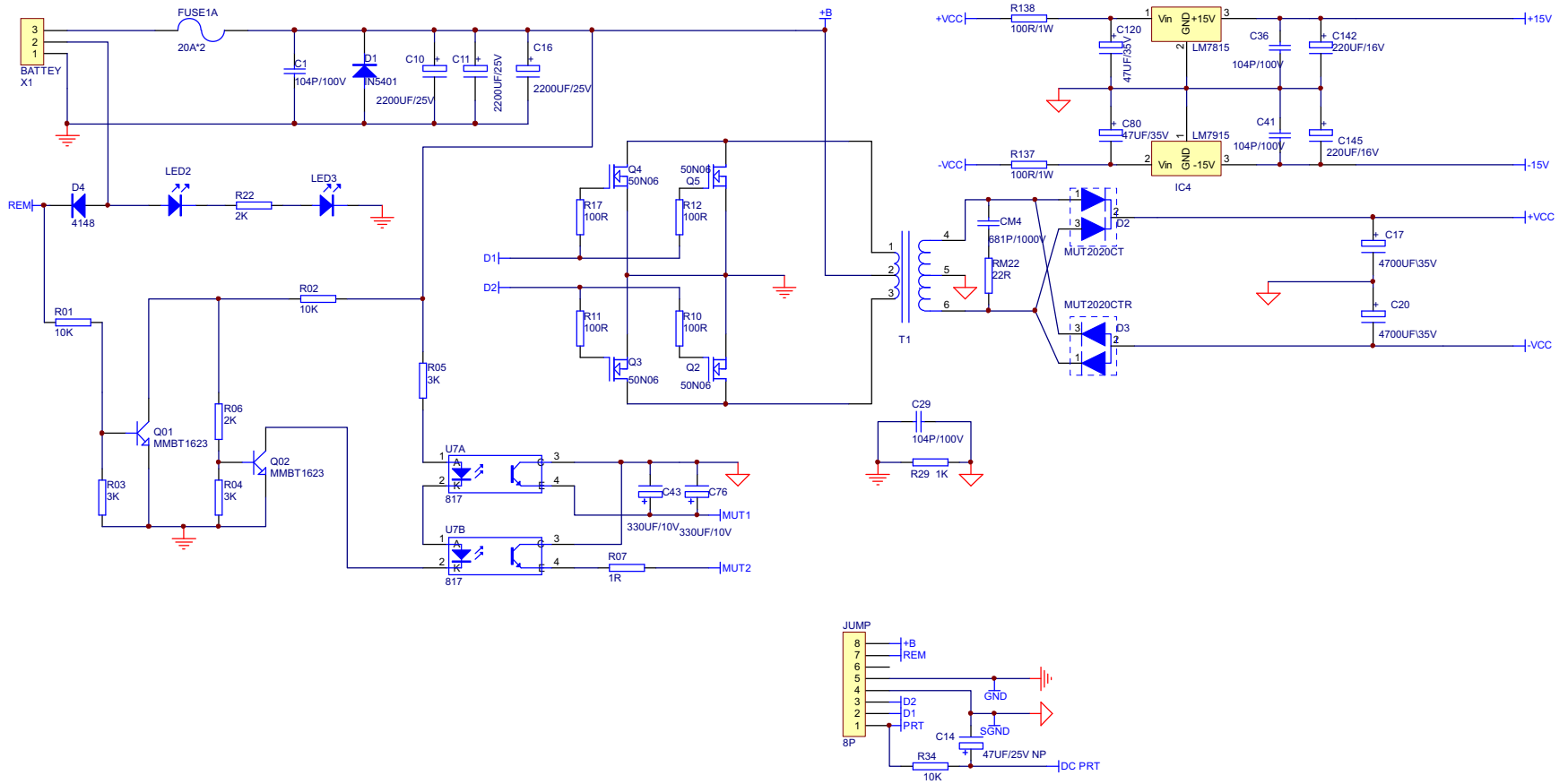
Model No.	MINI D1000.4
Title	Amplifier Unit
Date	November 6, 2013



Model No.	MINI D1000.4
Title	Front Unit
Date	November 6, 2013



Model No.	MINI D1000.4
Title	Power 1 Unit
Date	November 6, 2013



Model No.	MINI D1000.4
Title	Power Unit
Date	November 6, 2013